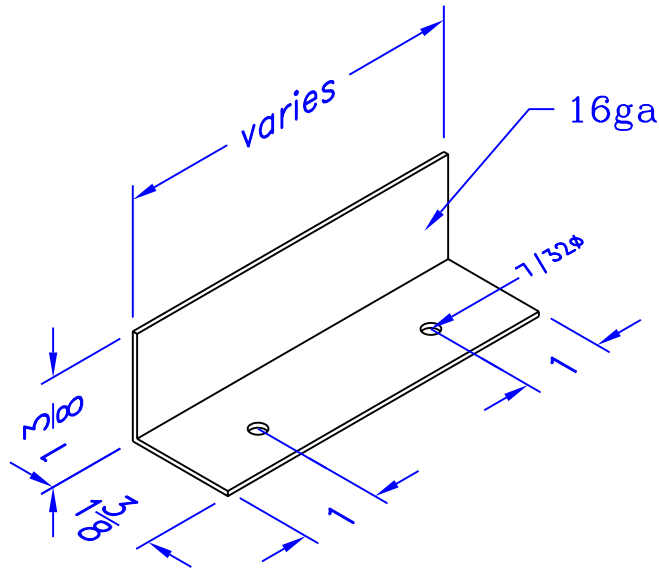
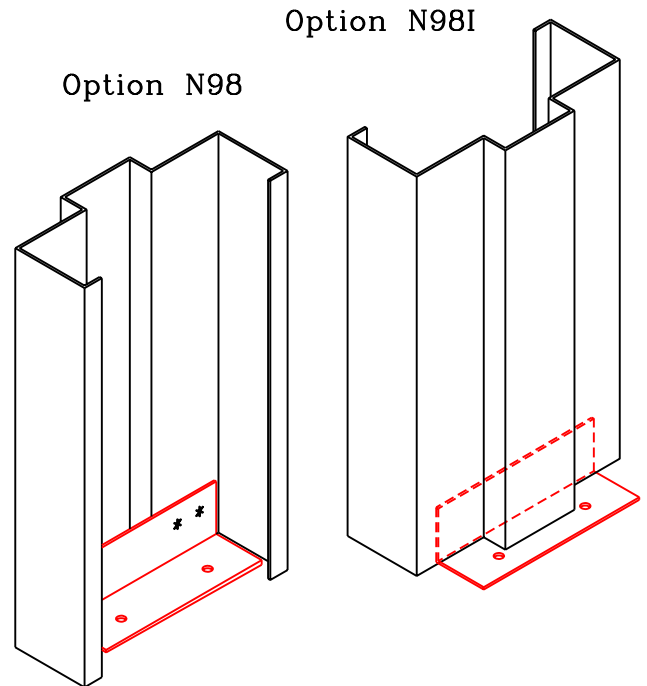


Base and Inverted Toe base Anchor

Spot welded



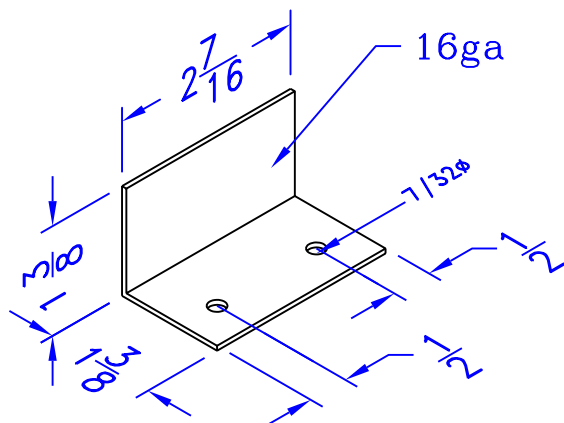
One part model



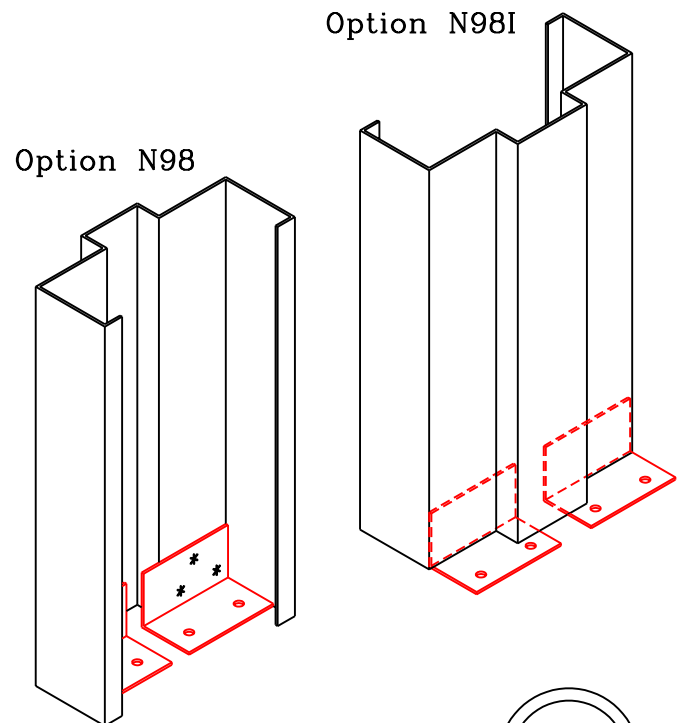
NOTE: We installed the full 1 part model when.
 -Throat between 2 5/8" and 4 3/8".
 -Throat 4 3/4" and 4 7/8".

We installed the 2 parts model when.
 -Throat are 4 1/2", 4 5/8", 5" and more.

- 14 gage available on notice



Two parts model



Option N98,N98I