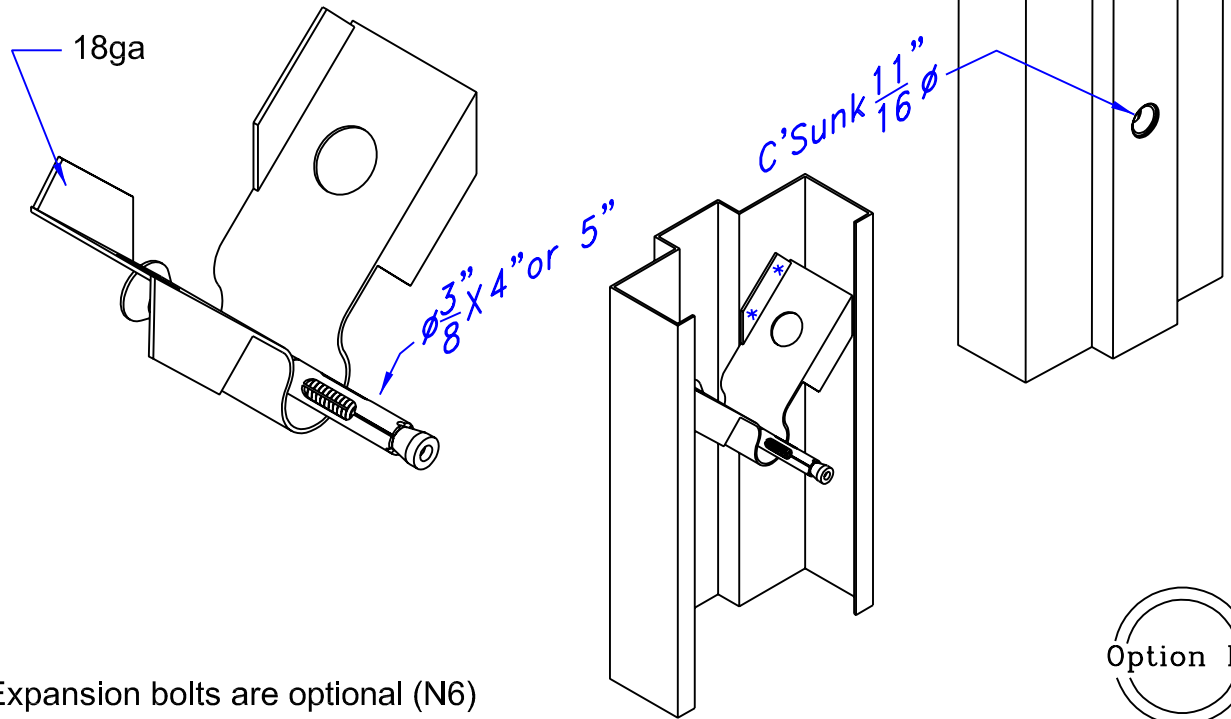


### EWA, Existing Wall Anchor

Spot welded

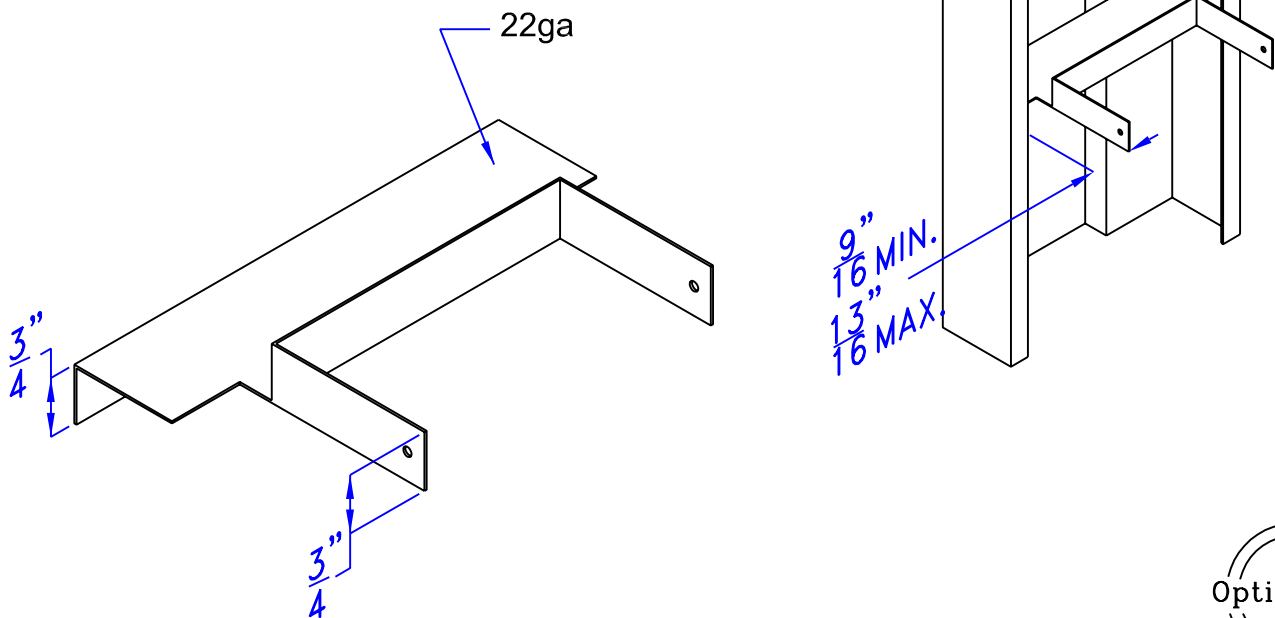


NOTE : Expansion bolts are optional (N6)

Option N5

### DCA, Combination Wood and Steel Stud Anchor

Spot welded



Option N12