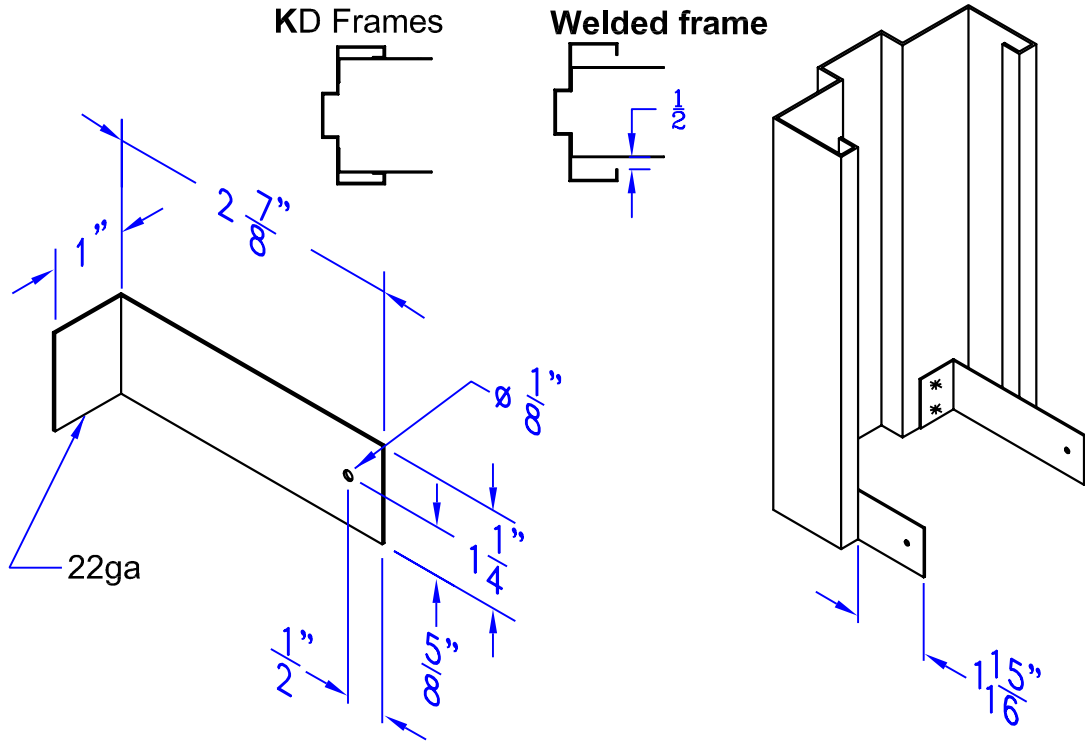


### DSA, Drywall Strap Anchor

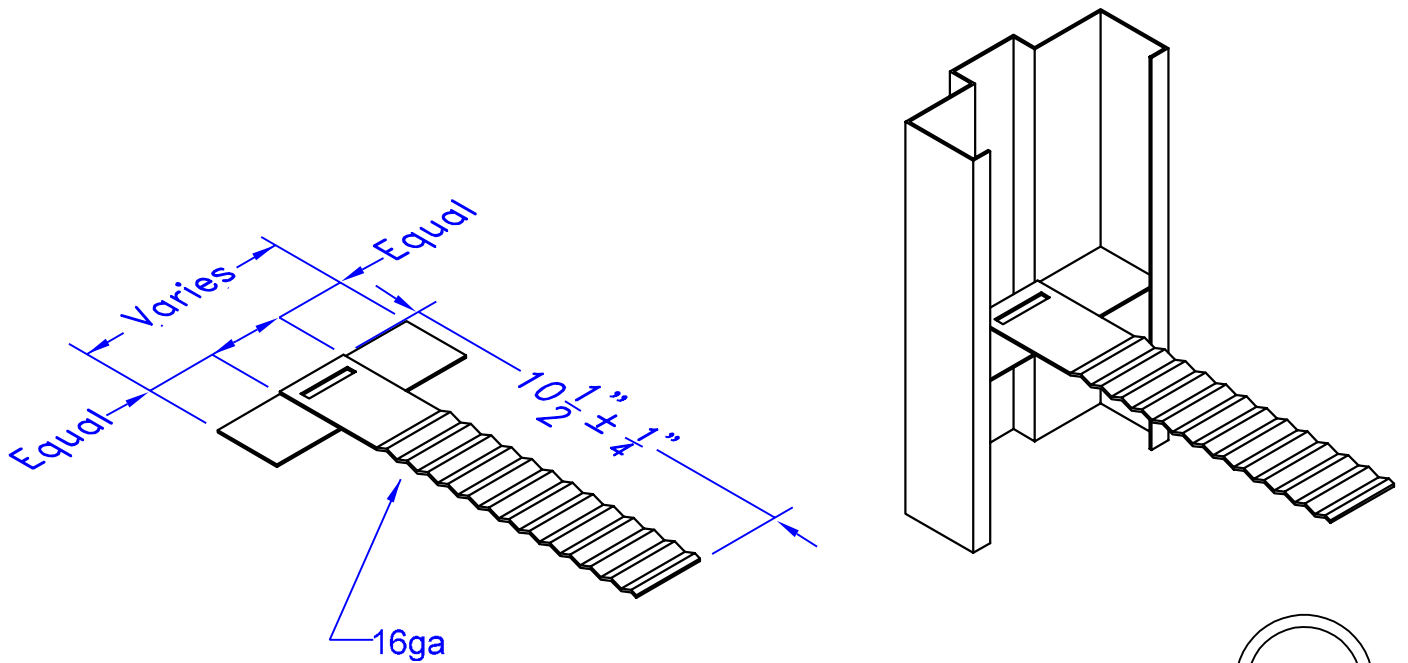
Spot welded



Option N1

### TMA, "T" Masonry Anchor

Shipped loose



Option N2