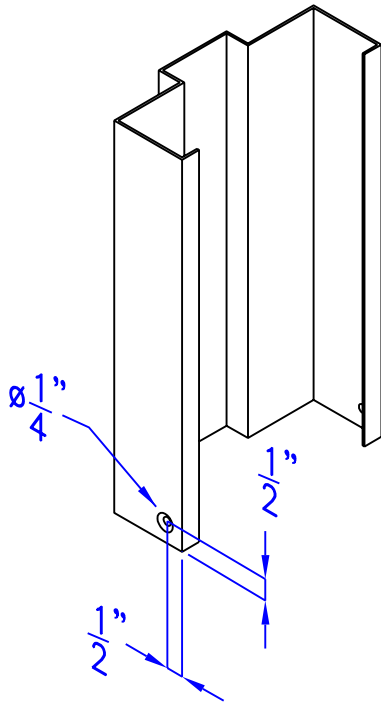
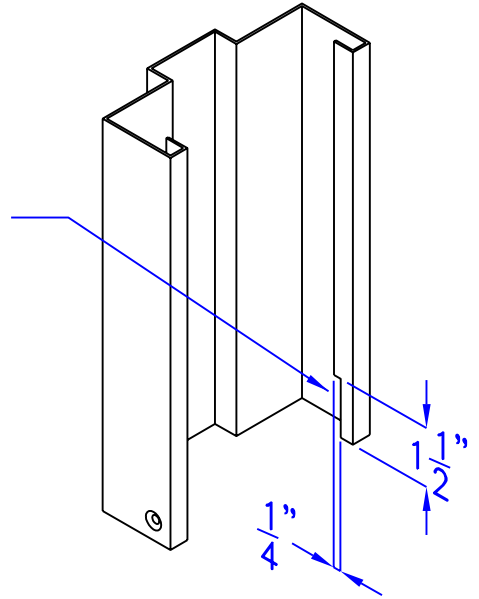


SBA, Screw Base Anchor



Notching at DR series

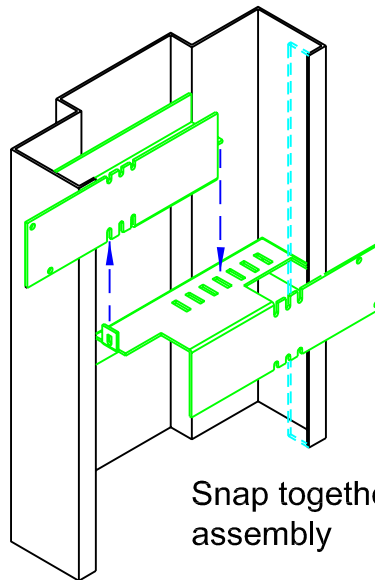
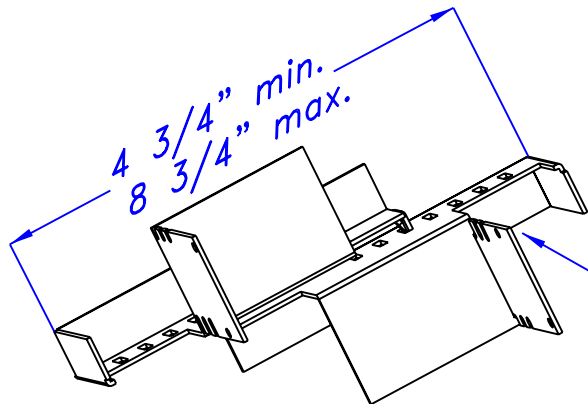


Fasteners by others, use #6 drywall screws



SWS, Adjustable Wood and Steel Stud Anchor

Shipped loose



Snap together for assembly

