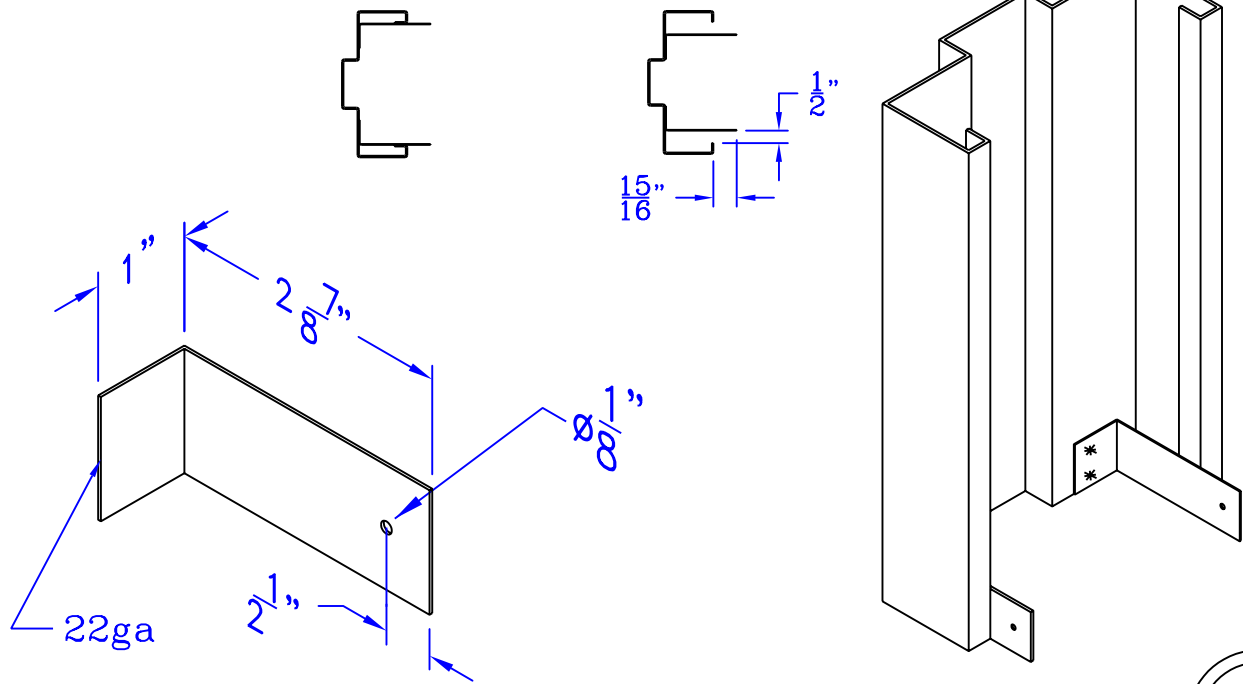


DSA, Drywall Strap Anchor

Spot welded

KD Frames

Welded frame



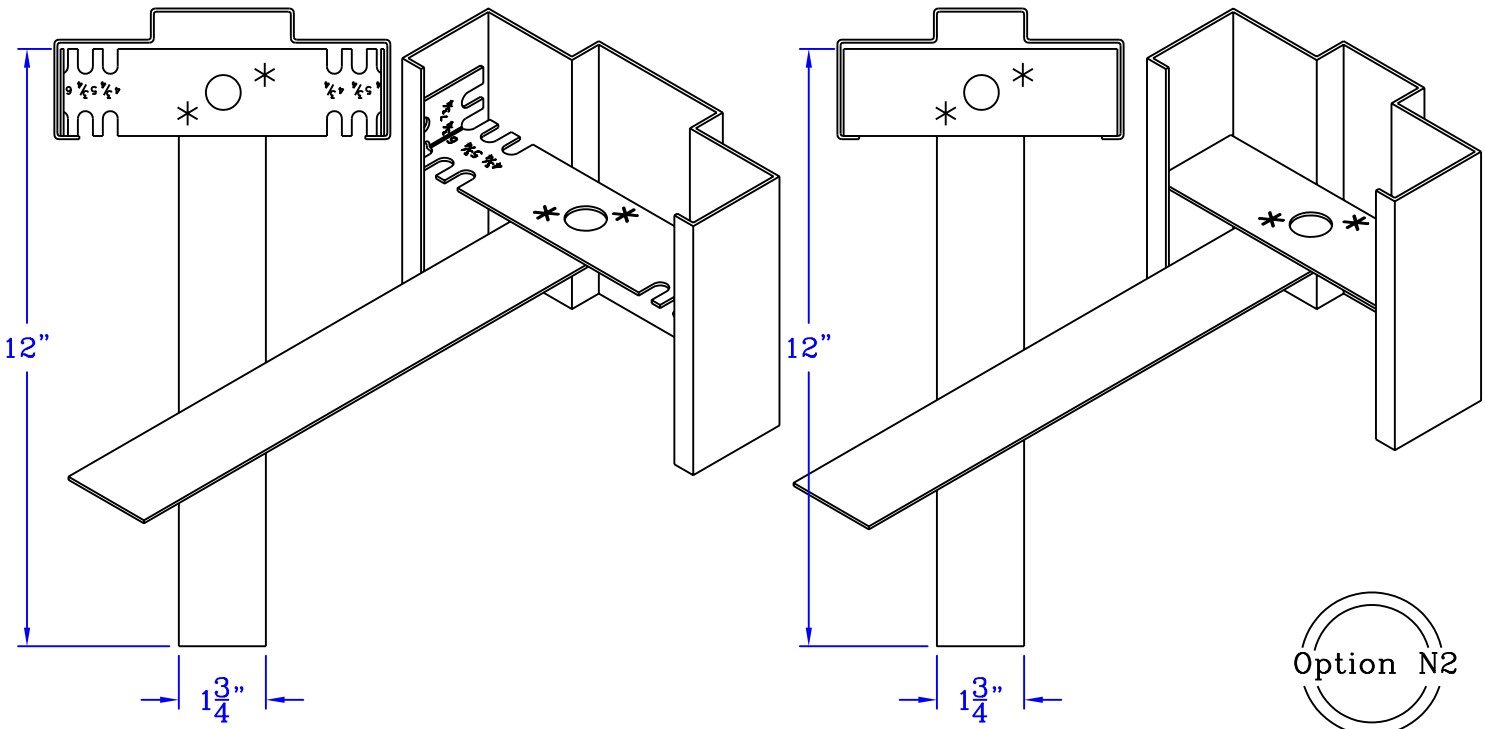
Option N1

TMA, "T" Masonry Anchor

Shipped loose

Most jamb depths

SR16 5 3/4"-4 7/8" frames



Option N2