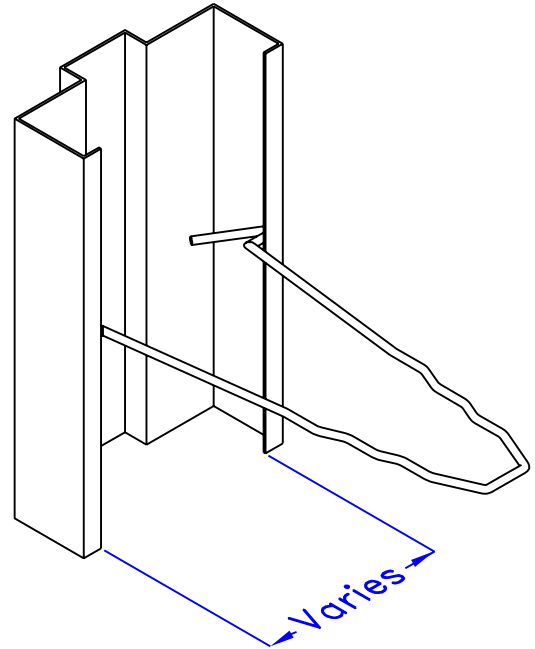
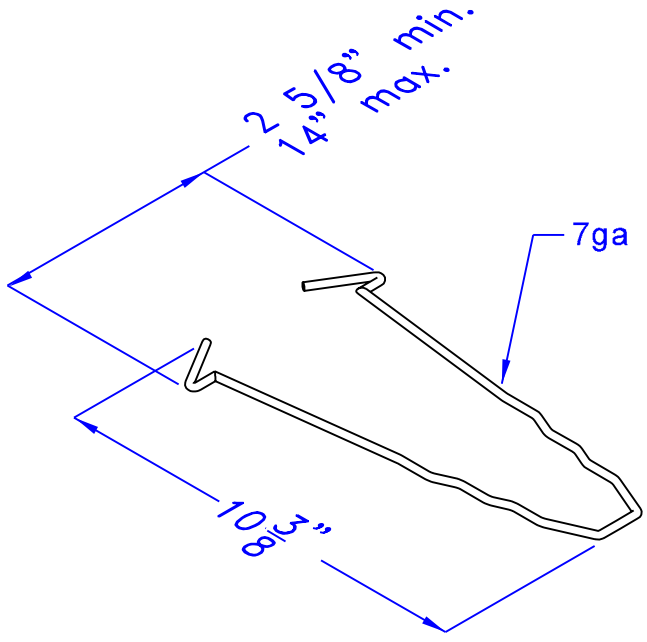


WMA, Wire Masonry Anchor

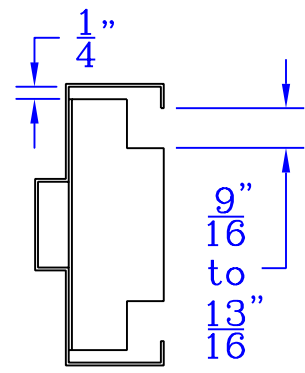
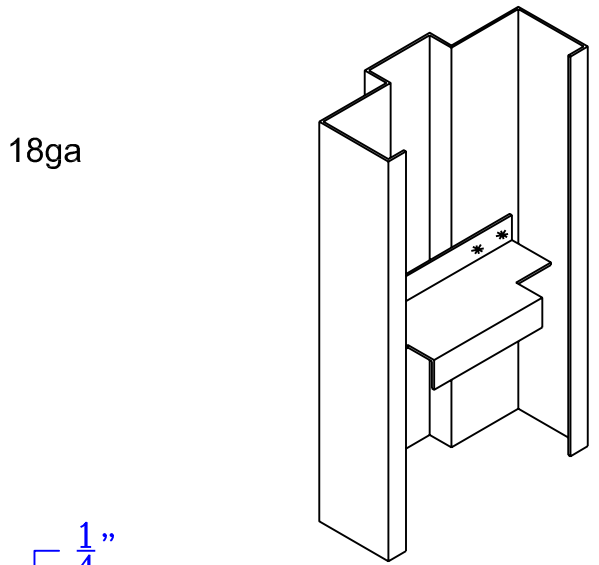
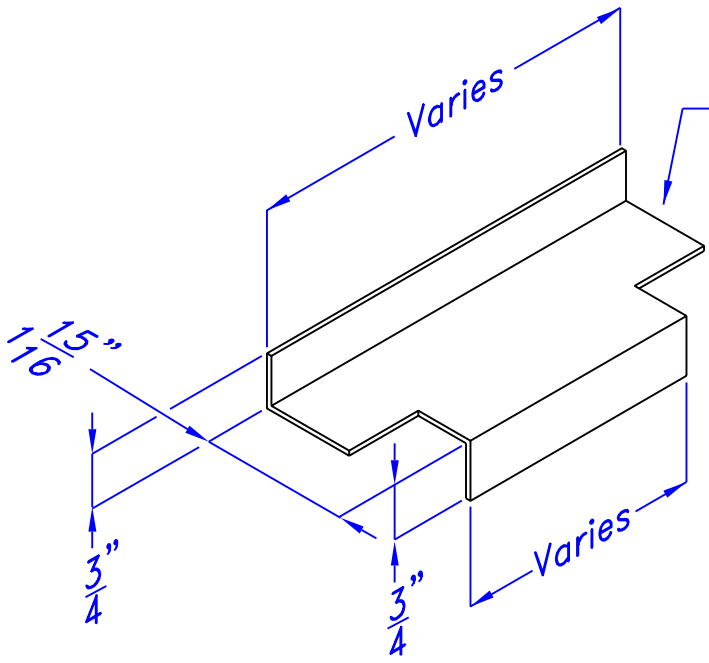
Shipped loose



Option N3

ZBA, "Z" Bracket Anchor

Spot welded



Option N4