

3/18/2026 1:44 PM

DE LA FONTAINE

OUTSWING DOUBLE & SINGLE GLAZED STEEL DOOR (HVHZ)(IMPACT)

GENERAL NOTES:

- THE PRODUCT SHOWN HEREIN IS DESIGNED AND MANUFACTURED TO COMPLY WITH THE CURRENT EDITION FLORIDA BUILDING CODE (FBC), **INCLUDING** HVHZ AND HAS BEEN EVALUATED ACCORDING TO THE FOLLOWING:
 - TAS 201-94
 - TAS 202-94
 - TAS 203-94
 - ASTM E283-04(12)
 - ASTM E330-14(21)
 - ASTM E1886-19
 - ASTM E1996-20
- ADEQUACY OF THE EXISTING STRUCTURAL CONCRETE/MASONRY AND 2X FRAMING AS A MAIN WIND FORCE RESISTING SYSTEM CAPABLE OF WITHSTANDING AND TRANSFERRING APPLIED PRODUCT LOADS TO THE FOUNDATION IS THE RESPONSIBILITY OF THE ENGINEER OR ARCHITECT OF RECORD FOR THE PROJECT OF INSTALLATION.
- 1X AND 2X BUCKS (WHEN USED) SHALL BE DESIGNED AND ANCHORED TO PROPERLY TRANSFER ALL LOADS TO THE STRUCTURE. BUCK DESIGN AND ANCHOR LAYOUT IS THE RESPONSIBILITY OF THE ENGINEER OR ARCHITECT OF RECORD FOR THE PROJECT OF INSTALLATION.
- THE INSTALLATION DETAILS DESCRIBED HEREIN ARE GENERIC AND MAY NOT REFLECT ACTUAL CONDITIONS FOR A SPECIFIC SITE. IF SITE CONDITIONS CAUSE INSTALLATION TO DEVIATE FROM THE REQUIREMENTS DETAILED HEREIN, A LICENSED ENGINEER OR ARCHITECT SHALL PREPARE SITE SPECIFIC DOCUMENTS FOR USE WITH THIS DOCUMENT.
- THIS PRODUCT IS LARGE AND SMALL MISSILE IMPACT RESISTANT APPROVED IMPACT PROTECTIVE SYSTEM **IS NOT REQUIRED** ON THIS PRODUCT IN AREAS REQUIRING IMPACT RESISTANCE.
- ELECTRIFIED AND FIRE RATED OPTIONS OF APPROVED HARDWARE ARE DEEMED ACCEPTABLE. INSTALLATION AND USE IS UNDER SEPARATE APPROVAL AND IS REVIEWED BY THE APPROPRIATE AUTHORITY HAVING JURISDICTION. FIRE RATING IS NOT PART OF THIS APPROVAL. CONSULT THE MANUFACTURER FOR APPROVED CONFIGURATIONS AND FIRE RATING SPECIFICATIONS.
- OPTIONAL RACEWAYS, POWER TRANSFERS, MONITORING SWITCHES, AND SUPPLEMENTAL MAGNETIC LOCKS MAY BE USED AS ALLOWED BY THE CURRENT FLORIDA BUILDING CODE GIVEN THE IMPLEMENTATION DOES NOT EFFECT THE MECHANICAL PROPERTIES OF HARDWARE AND/OR INHIBIT EGRESS. TO BE REVIEWED BY THE BUILDING OFFICIAL OR THE APPROPRIATE AUTHORITY HAVING JURISDICTION.

CONSTRUCTION NOTES:

- DOOR CONSTRUCTION:
 - PANEL MATERIAL: 18 GA. A40/A60/G90 GALV. STEEL MIN. (0.042" MIN.)
 - OVERALL PANEL THICKNESS: MIN. 1 3/4 INCH TO MAX. 2 1/4 INCH
 - DOOR CORES:
 - HONEYCOMB - LIMITED TO A MAXIMUM DESIGN PRESSURE OF ±50 PSF.
 - POLYSTYRENE
 - POLYURETHANE
 - STEEL STIFFENED (POLYSTYRENE OR POLYURETHANE)
 - EDGE SEAMS:
 - STANDARD LOCK WELDED AT THE TOP AND BOTTOM.
 - STANDARD LOCK WITH EPOXY FILLED AND GRINDED SMOOTH SEAM
 - CONTINUOUS WELD LOCK SEAM
 - TWO (2) TOP AND ONE (1) BOTTOM CHANNELS ARE 16 GA. STEEL AND ARE SPOT WELDED TO EACH FACE SHEET 3" O.C.
 - HINGES:
 - HAGER BB1191
 - HAGER BB1168
 - HAGER BB1199
 - HAGER BB1279
 - HAGER 780-112 ROTON
 - HINGE REINFORCEMENTS ARE LOCATED AT EACH HINGE LOCATION.
 - LOCK REINFORCEMENTS ARE USED WHEN APPLICABLE.
- FRAME CONSTRUCTION:
 - FRAME MATERIAL: 16 GA. A40/A60/G90 GALV. STEEL MIN. (0.054" MIN.)
 - FRAME DEPTH: 5.75" MIN. (DOUBLE RETURNS QUALIFIED)
 - CORNER CONSTRUCTION:
 - KNOCK-DOWN
 - FACE WELD
 - FULL WELD
 - HINGE REINFORCEMENT IS LOCATED AT EACH HINGE LOCATION.
 - LOCK STRIKE REINFORCEMENTS ARE USED WHEN APPLICABLE.

****NOTE: PANEL HEIGHT LIMITED TO 83-1/8".**

***NOTE: UNIT SHALL BE INSTALLED IN NON-HABITABLE LOCATIONS OR AT LOCATION PROTECTED BY OVERHANG SUCH THAT OVERHANG RATIO (OH) = OH LENGTH /OH HEIGHT IS GREATER THAN 1.**

TABLE OF CONTENTS	
SHEET	SHEET DESCRIPTION
1	GENERAL & CONSTRUCTION NOTES
2	GLAZING DETAIL & ANCHOR LAYOUT
3	ELEVATIONS
4	ANCHOR LAYOUTS & NOTES
5	VERTICAL SECTIONS
6	HORIZONTAL SECTIONS
7	HORIZONTAL SECTIONS
8	INSTALLATION DETAILS - COMBINATION AND Z ANCHORS
9	INSTALLATION DETAILS - EWA ANCHORS
10	INSTALLATION DETAILS - WIRE/T MASONRY & JAMB BASE ANCHORS
11	INSTALLATION DETAILS & NOTES
12	GASKETING DETAILS FOR WATER INFILTRATION
13	GASKETING DETAILS FOR AIR INFILTRATION
14	THRESHOLD DETAIL & ANCHOR LAYOUT
15	CORNER CONSTRUCTION
16	REINFORCEMENTS
17	REINFORCEMENTS
18	BILL OF MATERIALS

FLORIDA BUILDING CODE DESIGN PRESSURES					
CONFIGURATION	LATCHING HARDWARE TYPE	LATCHING HARDWARE SERIES	*WHERE WATER INFILTRATION IS NOT REQUIRED OR IS PROTECTED BY OVERHANG	WHERE WATER INFILTRATION REQUIREMENT IS NEEDED OR IS NOT PROTECTED BY OVERHANG	MISSILE IMPACT RATING
SINGLE	CYLINDRICAL LOCKSET	SCHLAGE D/ND	+/- 70 PSF	+/- 50 PSF	LARGE AND SMALL MISSILE IMPACT RATED
		SARGENT 11	+/- 70 PSF		
		CAL-ROYAL GENESIS	+/- 70 PSF		
		HAGER 3400	+/- 50 PSF		
	CYLINDRICAL LOCKSET WITH DEADBOLT	HAGER 3500 WITH HAGER 3200 DEADBOLT	+/- 65 PSF		
	MORTISE LOCKSET WITH DEADBOLT	SCHLAGE L9000	+/- 70 PSF		
		SARGENT 8200	+/- 70 PSF		
	RIM EXIT DEVICE	VON DUPRIN 98/99	+/- 50 PSF		
		CORBIN RUSSWIN ED5200S X M107	+/- 70 PSF		
	SURFACE VERTICAL RODS	HAGER 4500	+/- 65 PSF		
VON DUPRIN WS9827/WS9927		+/- 70 PSF			
DOUBLE	CYLINDRICAL LOCKSET	SCHLAGE D/ND	+/- 70 PSF	NOT APPROVED	
		SARGENT 11	+/- 70 PSF		
		CAL-ROYAL GENESIS	+/- 70 PSF		
	MORTISE LOCKSET WITH DEADBOLT	SCHLAGE L9000	+/- 70 PSF		
		SARGENT 8200	+/- 70 PSF		
	SURFACE BOLTS	IVES 360	+/- 70 PSF		
		SARGENT 998	+/- 70 PSF		
	RIM EXIT DEVICE	VON DUPRIN 98/99 WITH HH9954 MULLION	+/- 50 PSF		
		CORBIN RUSSWIN ED5200S X M107 WITH FE707A MULLION	+/- 70 PSF		
		**HAGER 4500 WITH HAGER 4500 MULLION	+/- 65 PSF		
SURFACE VERTICAL RODS	VON DUPRIN WS9827/WS9927	+/- 70 PSF			
	CORBIN RUSSWIN ED5470	+/- 50 PSF			



4115 RUE BRODEUR STREET
SHERBROOKE, QC J1L1K4
PH: (819) 821-9230 FX: (819) 569-5928

TITLE: OUTSWING DOUBLE & SINGLE GLAZED STEEL DOOR (HVHZ) (IMPACT)

GENERAL & CONSTRUCTION NOTES

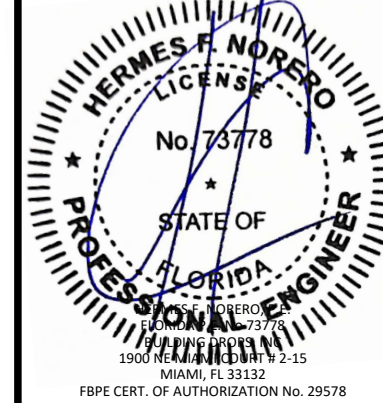
PREPARED BY: BUILDING DROPS, INC.
1900 NE MIAMI COURT, STE. 2-15
MIAMI, FL 33132
PH: (954)399-8478
FAX: (954)744-4738
WEB: www.buildingdrops.com



REMARKS	BY	DATE
HDW & DP UPDATE	DI	8/22/24
A: HDW UPDATE	JR	2/24/26

THE INSTALLATION DETAILS DESCRIBED HEREIN ARE GENERIC AND MAY NOT REFLECT ACTUAL CONDITIONS FOR A SPECIFIC SITE. IF SITE CONDITIONS CAUSE INSTALLATION TO DEVIATE FROM THE REQUIREMENTS DETAILED HEREIN, A LICENSED ENGINEER OR ARCHITECT SHALL PREPARE SITE SPECIFIC DOCUMENTS FOR USE WITH THIS DOCUMENT.

Digitally signed by Hermes F. Norero, P.E.
Reason: I am approving this document
Date: 2026.03.30 16:07:54 -04'00'

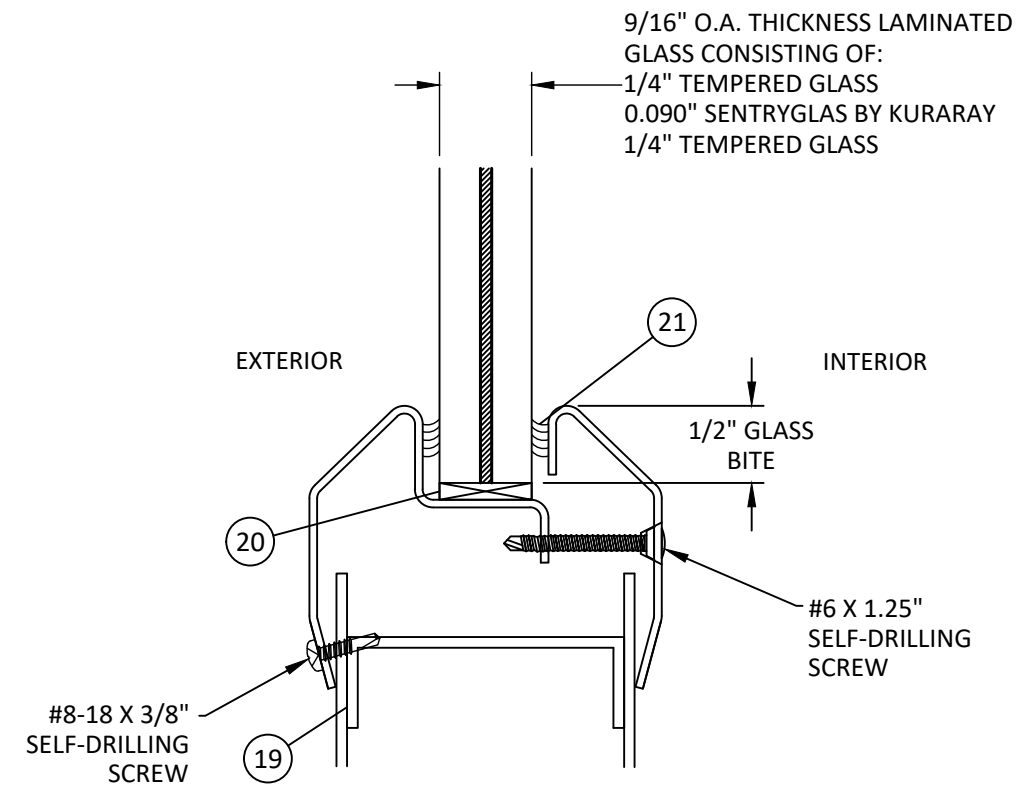
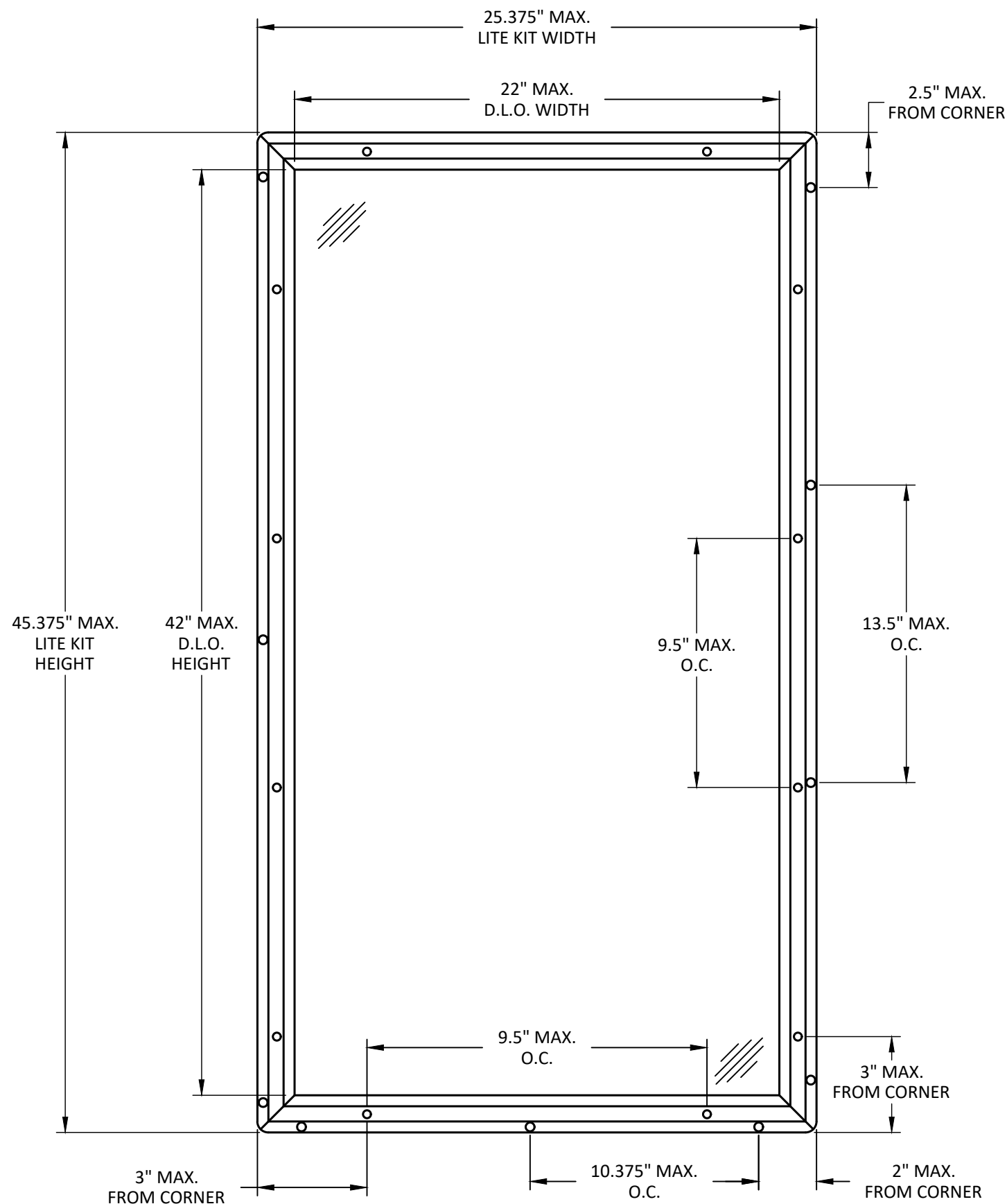


FL46851

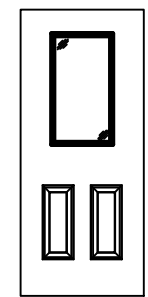
DATE:	05.28.24
DWG. BY:	DI
CHK. BY:	HFN
SCALE:	NTS
DWG. #:	DLF003

SHEET: 1 OF 18

c:\users\julianarodriguez\building_drops, inc\building_drops, inc\documents\common\projects\de la fontaine\lbc-25-0101 - hager hardware revisions\dwgs\dlf003-a.dwg 3/18/2026 1:44 PM



GLAZING DETAIL



AVAILABLE DOOR PANEL CONFIGURATIONS

NOTE: CUSTOM EMBOSSED AVAILABLE. CONTACT MANUFACTURER FOR MORE INFORMATION.



4115 RUE BRODEUR STREET
 SHERBROOKE, QC J1L1K4
 PH: (819) 821-9230 FX: (819) 569-5928

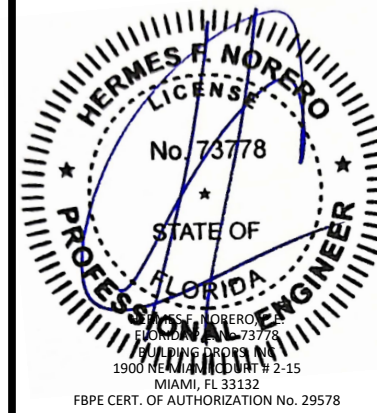
TITLE: OUTSWING DOUBLE & SINGLE GLAZED STEEL DOOR (HVHZ) (IMPACT)
 GLAZING DETAIL & ANCHOR LAYOUT

PREPARED BY: BUILDING DROPS, INC.
 1900 NE MIAMI COURT, STE. 2-15
 MIAMI, FL 33132
 PH: (954) 399-8478
 FAX: (954) 744-4738
 WEB: www.buildingdrops.com



REMARKS	BY	DATE
HDW & DP UPDATE	DI	8/22/24
A: HDW UPDATE	JR	2/24/26

THE INSTALLATION DETAILS DESCRIBED HEREIN ARE GENERIC AND MAY NOT REFLECT ACTUAL CONDITIONS FOR A SPECIFIC SITE. IF SITE CONDITIONS CAUSE INSTALLATION TO DEVIATE FROM THE REQUIREMENTS DETAILED HEREIN, A LICENSED ENGINEER OR ARCHITECT SHALL PREPARE SITE SPECIFIC DOCUMENTS FOR USE WITH THIS DOCUMENT.



FL46851

DATE:	05.28.24
DWG. BY:	DI
CHK. BY:	HFN
SCALE:	NTS
DWG. #:	DLF003

SHEET: 2 OF 18

3/18/2026 1:44 PM
c:\users\julianarodriguez\building_drops, inc\building_drops, inc\projects\de la fontaine\lbc-25-0101 - hager hardware revisions\dwgs\dlf003-a.dwg

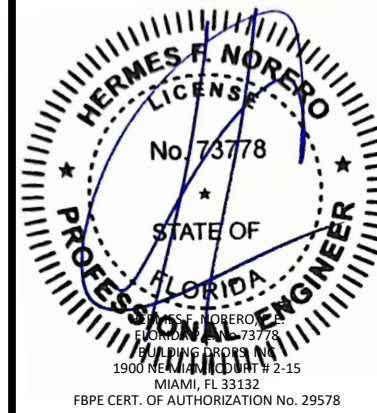
TITLE: OUTSWING DOUBLE & SINGLE GLAZED STEEL DOOR (HVHZ) (IMPACT) ELEVATIONS

PREPARED BY: **BUILDING DROPS, INC.**
1900 NE MIAMI COURT, STE. 2-15
MIAMI, FL 33132
PH: (954) 399-8478
FAX: (954) 744-4738
WEB: www.buildingdrops.com



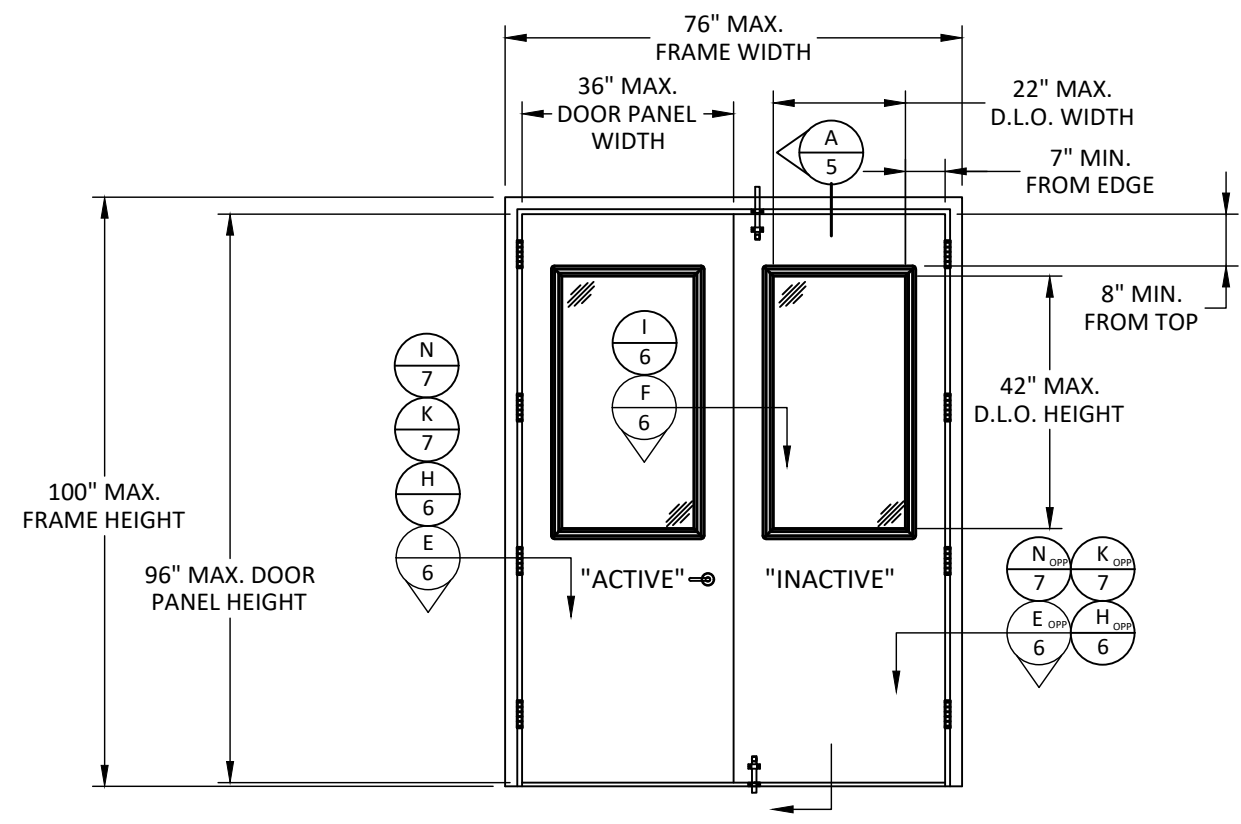
REMARKS	BY	DATE
HDW & DP UPDATE	DI	8/22/24
A: HDW UPDATE	JR	2/24/26

THE INSTALLATION DETAILS DESCRIBED HEREIN ARE GENERIC AND MAY NOT REFLECT ACTUAL CONDITIONS FOR A SPECIFIC SITE. IF SITE CONDITIONS CAUSE INSTALLATION TO DEVIATE FROM THE REQUIREMENTS DETAILED HEREIN, A LICENSED ENGINEER OR ARCHITECT SHALL PREPARE SITE SPECIFIC DOCUMENTS FOR USE WITH THIS DOCUMENT.



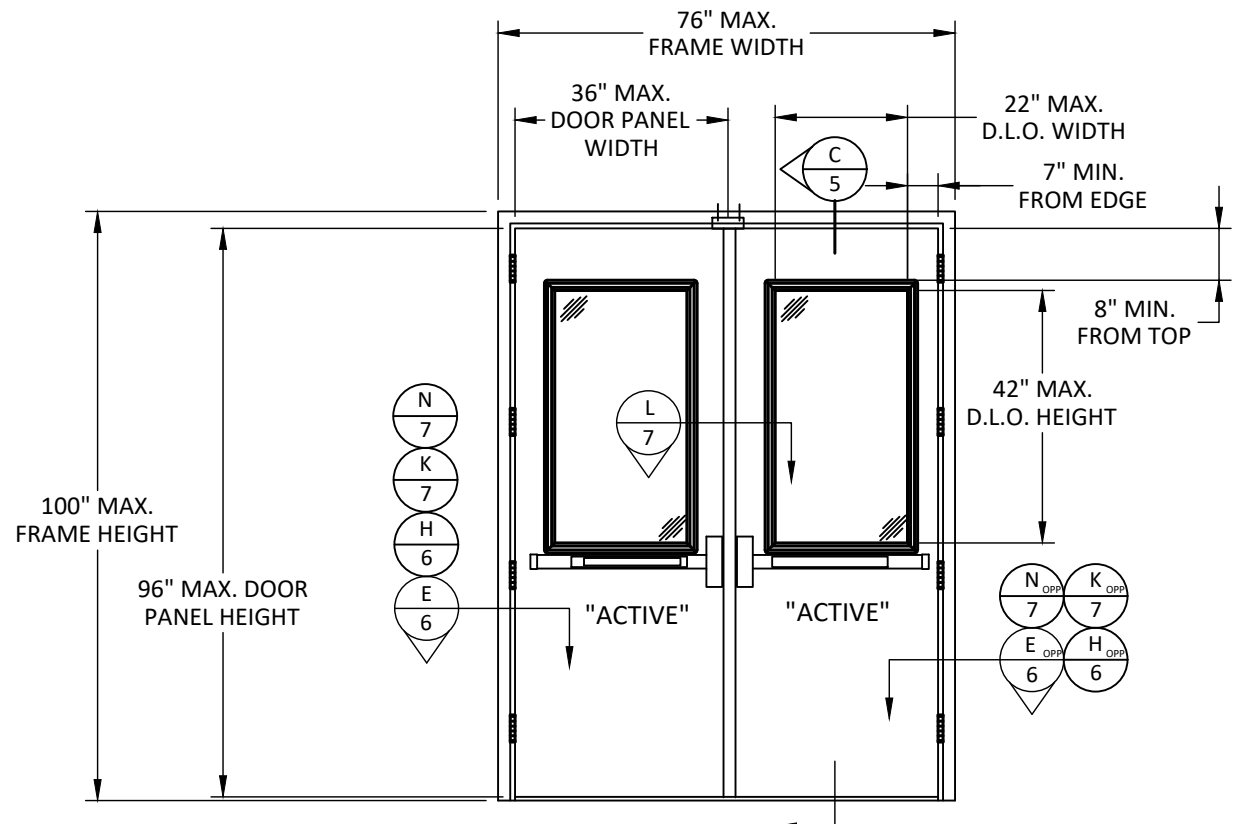
FL46851

DATE:	05.28.24	
DWG. BY:	DI	CHK. BY: HFN
SCALE:	NTS	
DWG. #:	DLF003	
SHEET:	3	

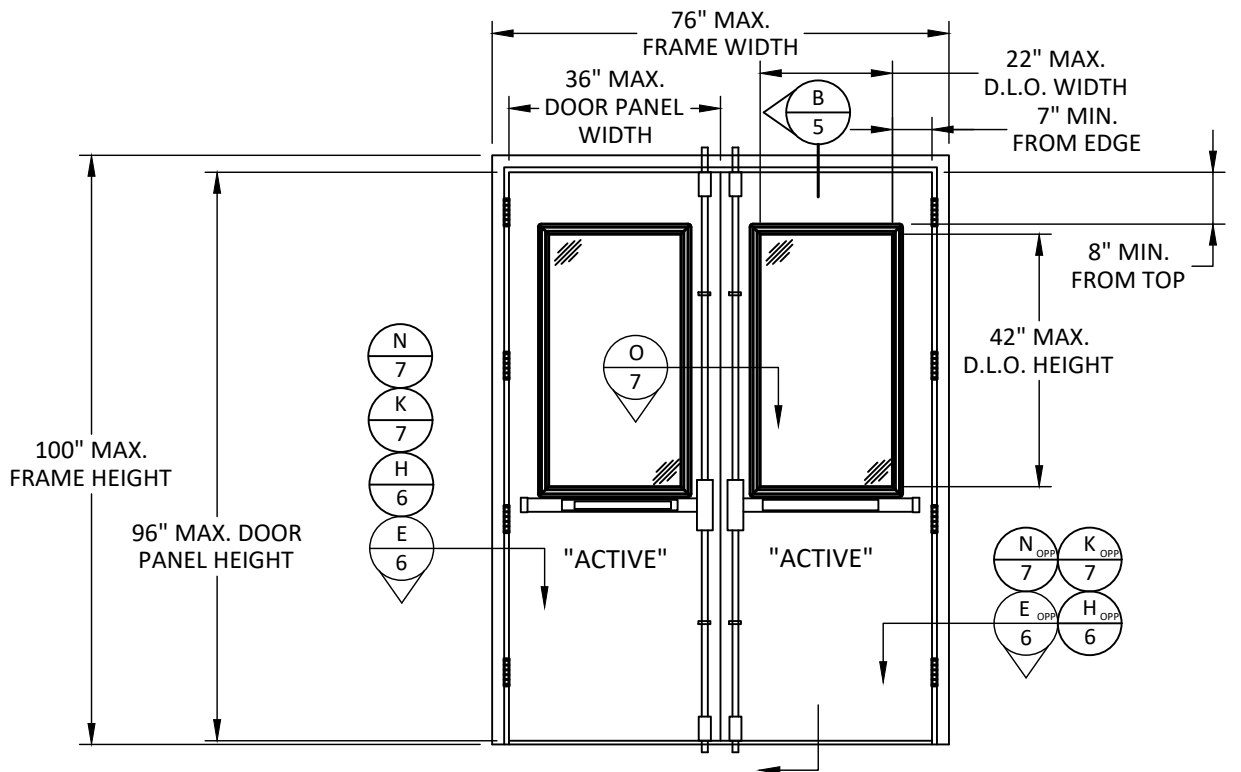


ELEVATION A
CYLINDRICAL LOCK (AS SHOWN) OR MORTISE LOCKSET WITH DEAD BOLT (NOT SHOWN) ON ACTIVE PANEL, SURFACE BOLTS ON INACTIVE

NOTE: MAXIMUM FRAME HEIGHT TO BE 100" WHEN OPTIONAL 4" HEADER FRAME IS USED. FOR USE WITH FULLY WELDED OR FACE WELDED CORNERS ONLY.

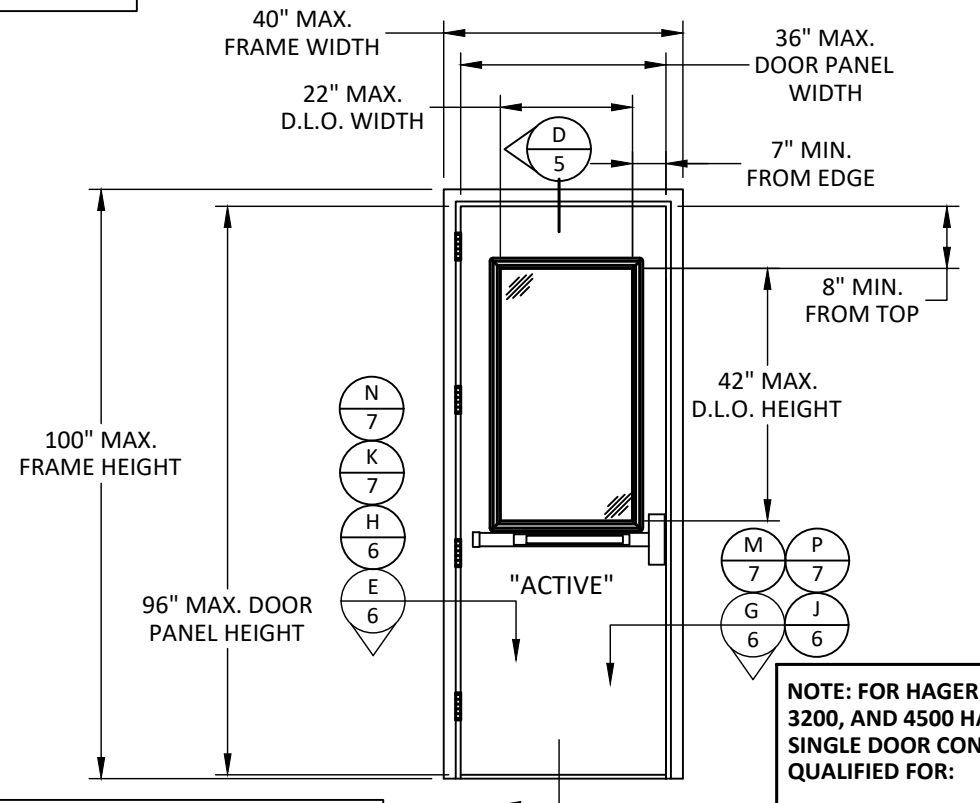


ELEVATION B
RIM EXIT DEVICES WITH REMOVABLE MULLION



ELEVATION C
EXIT DEVICES WITH SURFACE VERTICAL RODS

NOTE: ALTERNATE QUALIFIED SINGLE DOOR HARDWARE OPTIONS INCLUDE CYLINDRICAL LOCK, MORTISE LOCKSETS WITH DEADBOLT OR SURFACE VERTICAL RODS.



ELEVATION D
RIM EXIT DEVICE

NOTE: FOR HAGER 3400, 3500, 3200, AND 4500 HARDWARE, SINGLE DOOR CONFIGURATION IS QUALIFIED FOR:

- MAXIMUM DOOR SIZE: 47-3/4" X 95-1/8".
- MAXIMUM FRAME (ROUGH OPENING) SIZE: 52" X 100".

3/18/2026 1:44 PM
c:\users\julianarodriguez\building_drops, inc\building_drops, inc\documents\projects\de la fontaine\lbc-25-0101 - hager hardware revisions\dwgs\dlf003-a.dwg

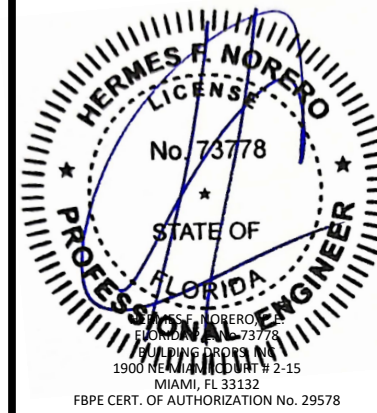
TITLE: OUTSWING DOUBLE & SINGLE GLAZED STEEL DOOR (HVHZ) (IMPACT)
ANCHOR LAYOUT & NOTES

PREPARED BY: BUILDING DROPS, INC.
1900 NE MIAMI COURT, STE. 2-15
MIAMI, FL 33132
PH: (954) 399-8478
FAX: (954) 744-4738
WEB: www.buildingdrops.com

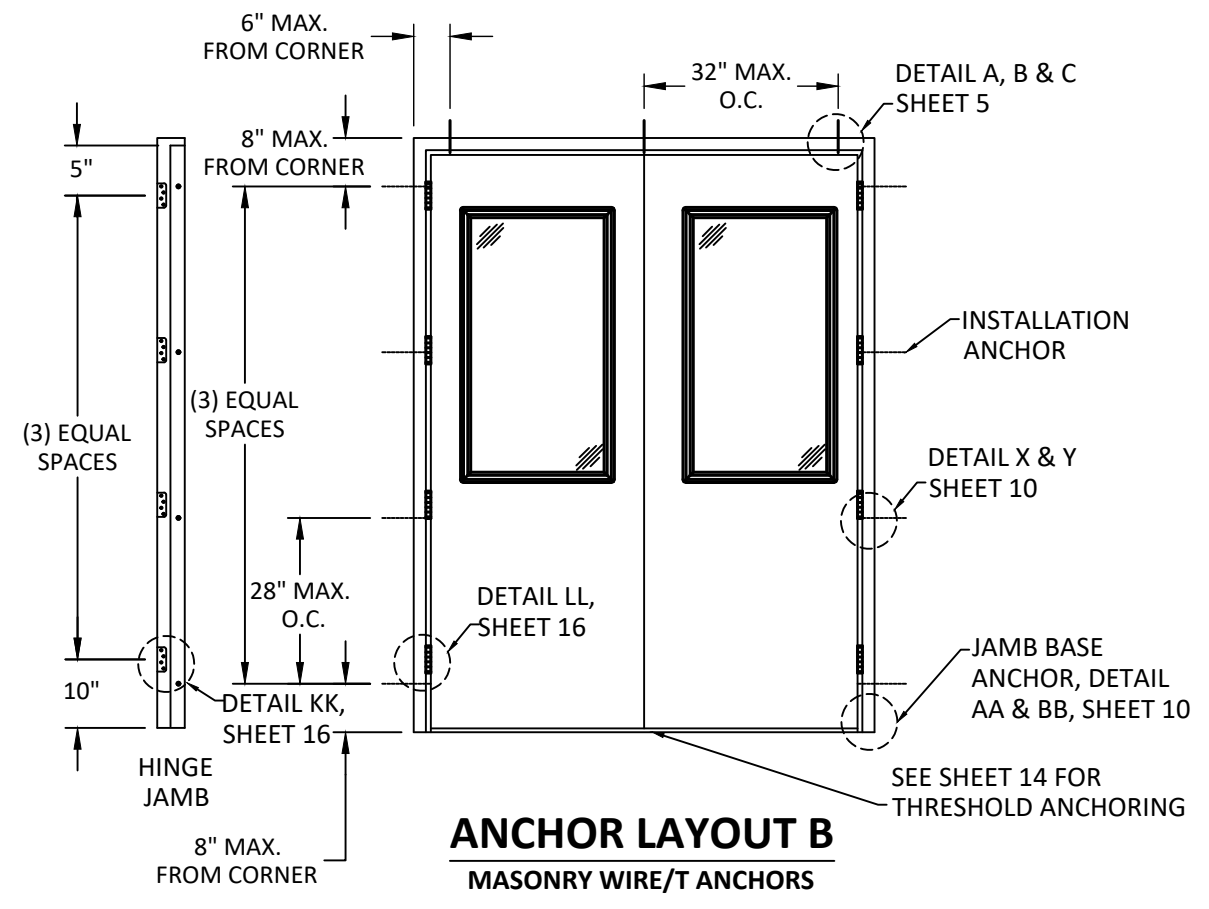
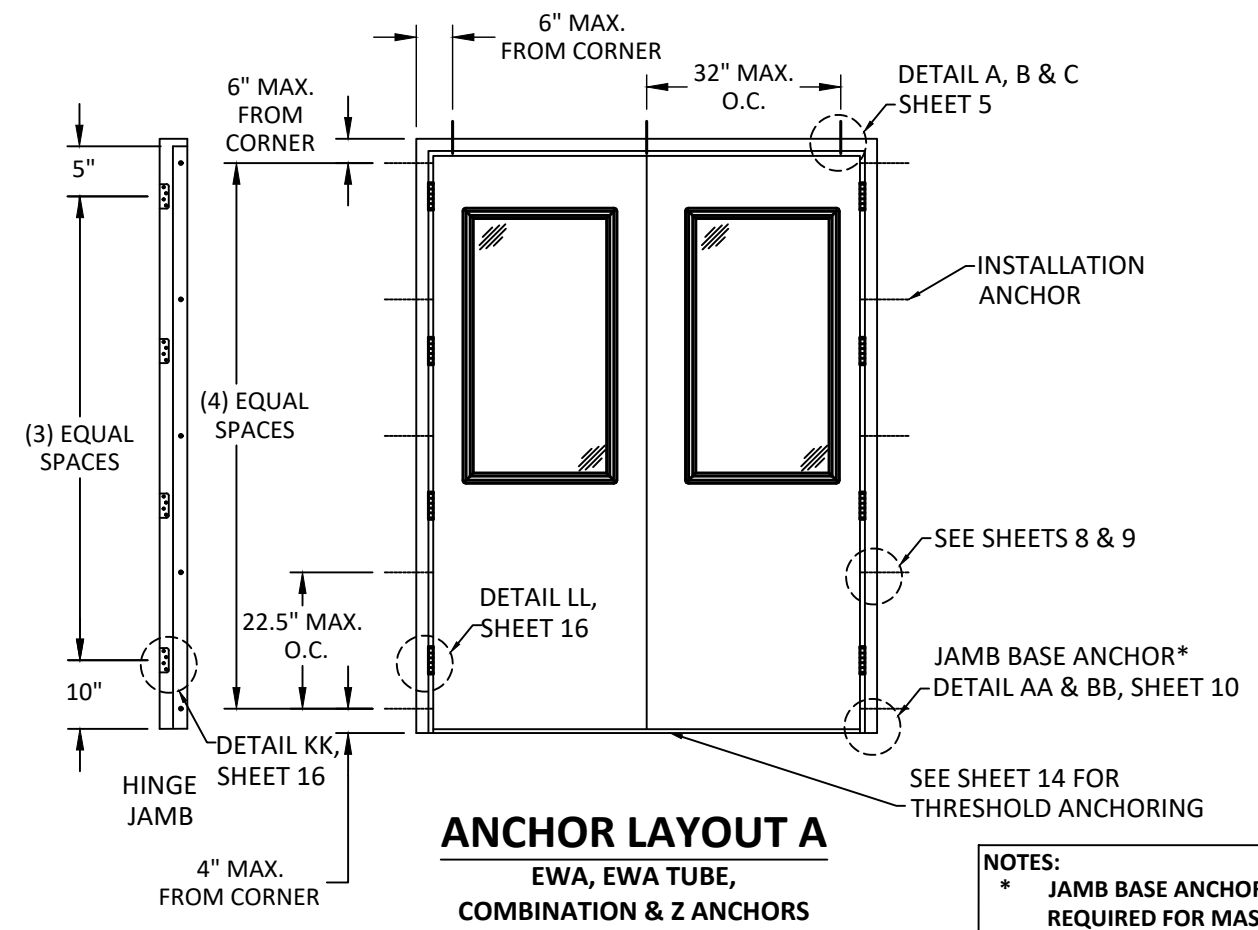


REMARKS	BY	DATE
HDW & DP UPDATE	DI	8/22/24
A: HDW UPDATE	JR	2/24/26

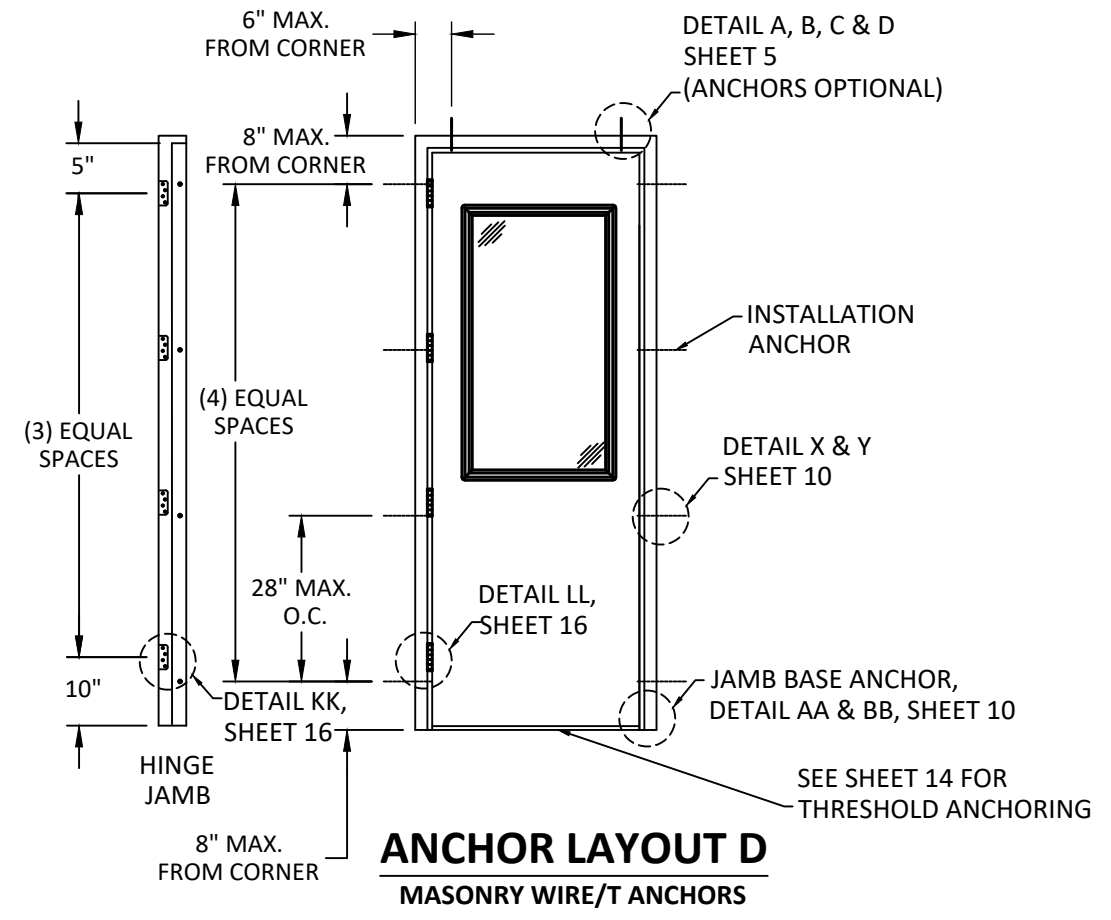
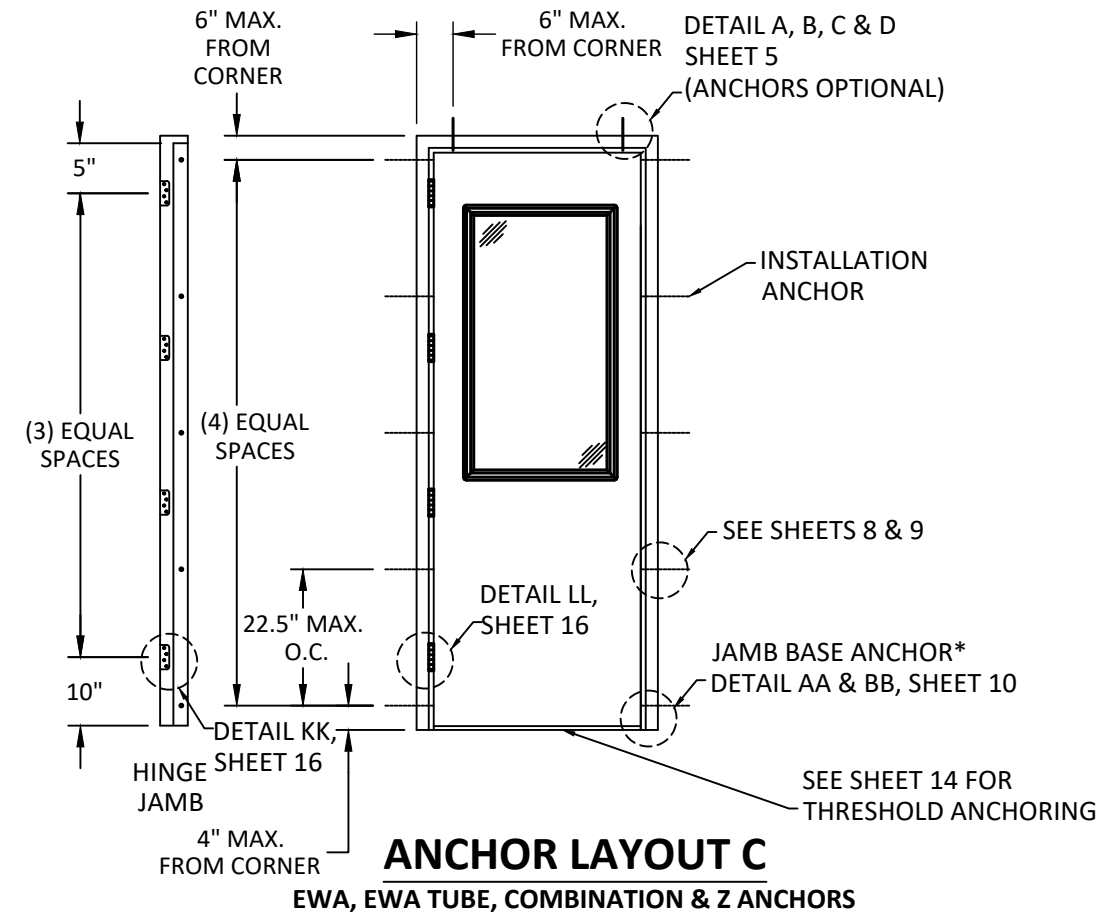
THE INSTALLATION DETAILS DESCRIBED HEREIN ARE GENERIC AND MAY NOT REFLECT ACTUAL CONDITIONS FOR A SPECIFIC SITE. IF SITE CONDITIONS CAUSE INSTALLATION TO DEVIATE FROM THE REQUIREMENTS DETAILED HEREIN, A LICENSED ENGINEER OR ARCHITECT SHALL PREPARE SITE SPECIFIC DOCUMENTS FOR USE WITH THIS DOCUMENT.



FL46851	
DATE: 05.28.24	
DWG. BY: DI	CHK. BY: HFN
SCALE: NTS	
DWG. #: DLF003	
SHEET:	

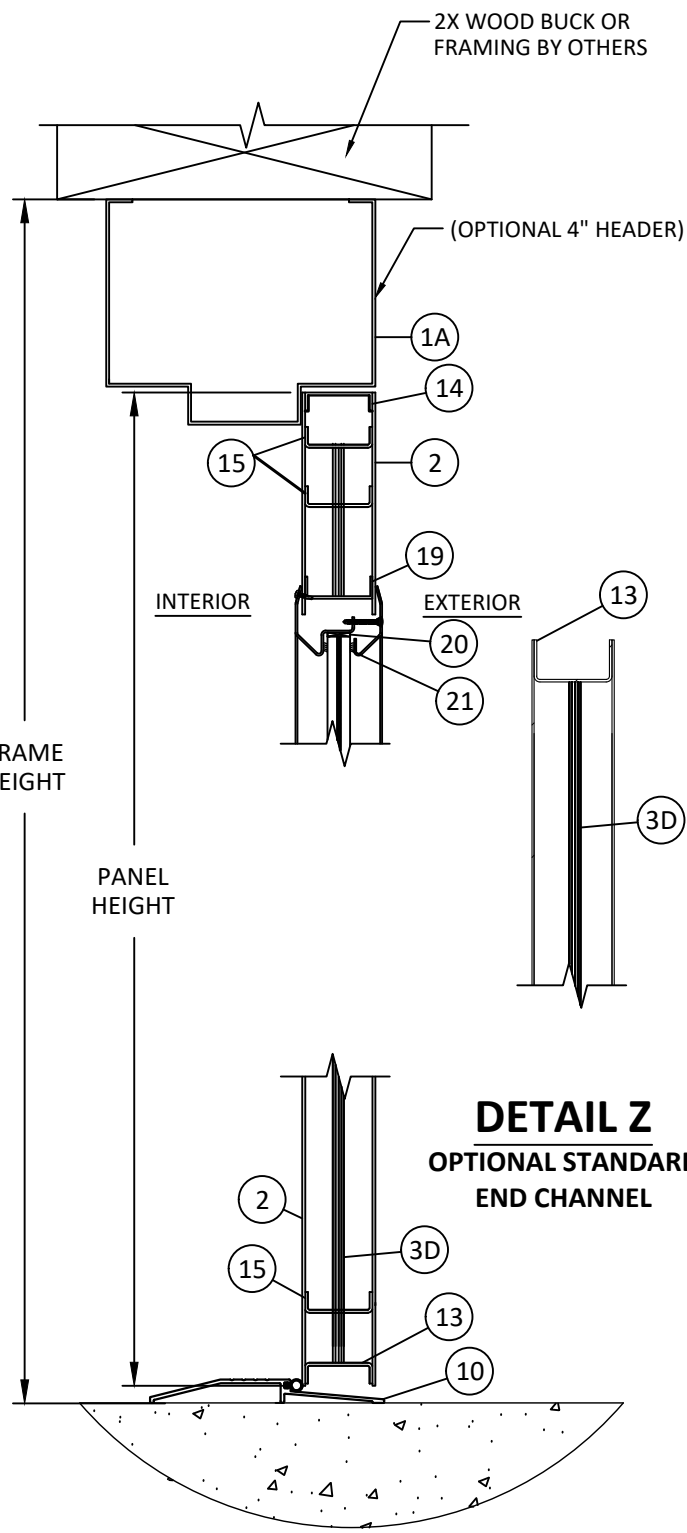
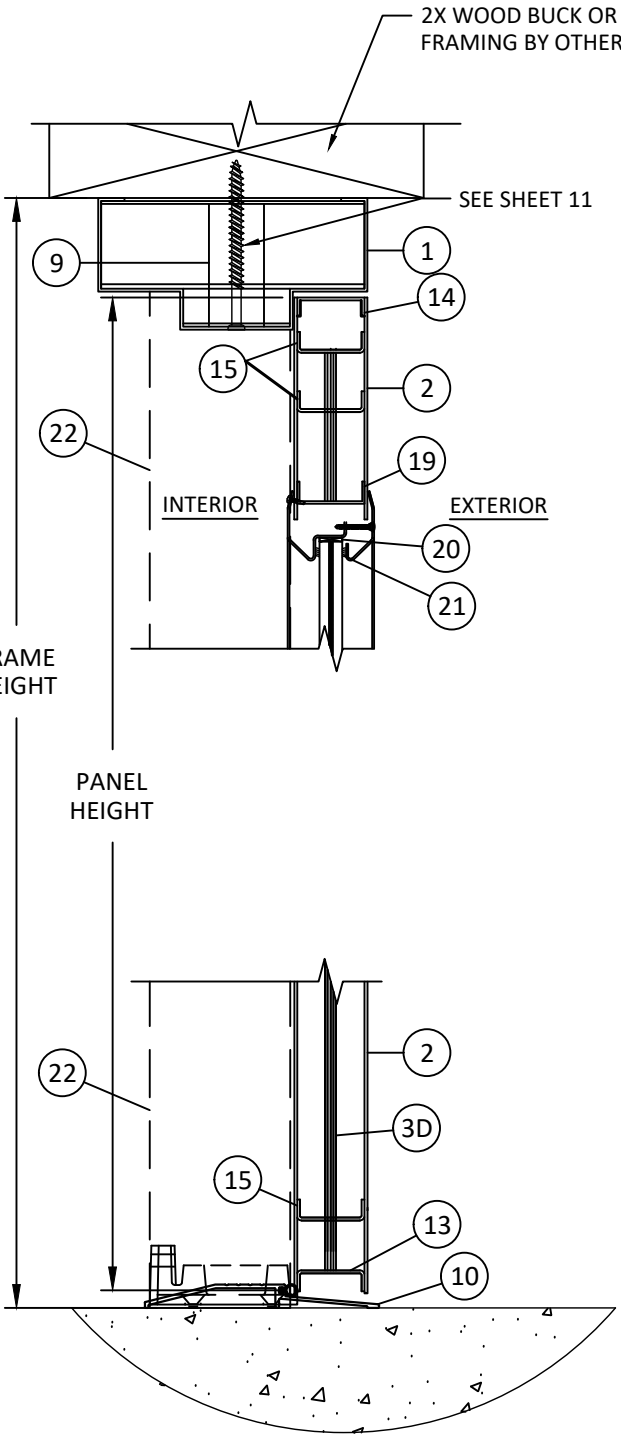
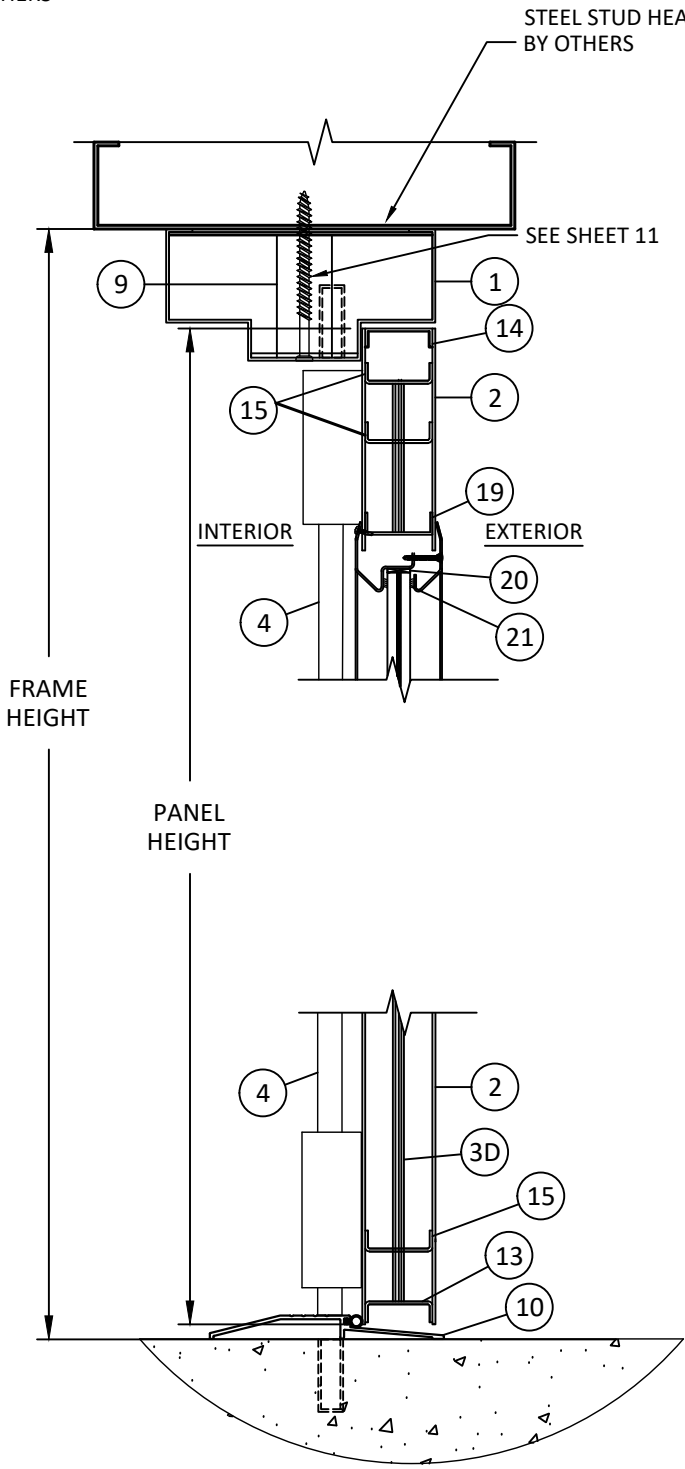
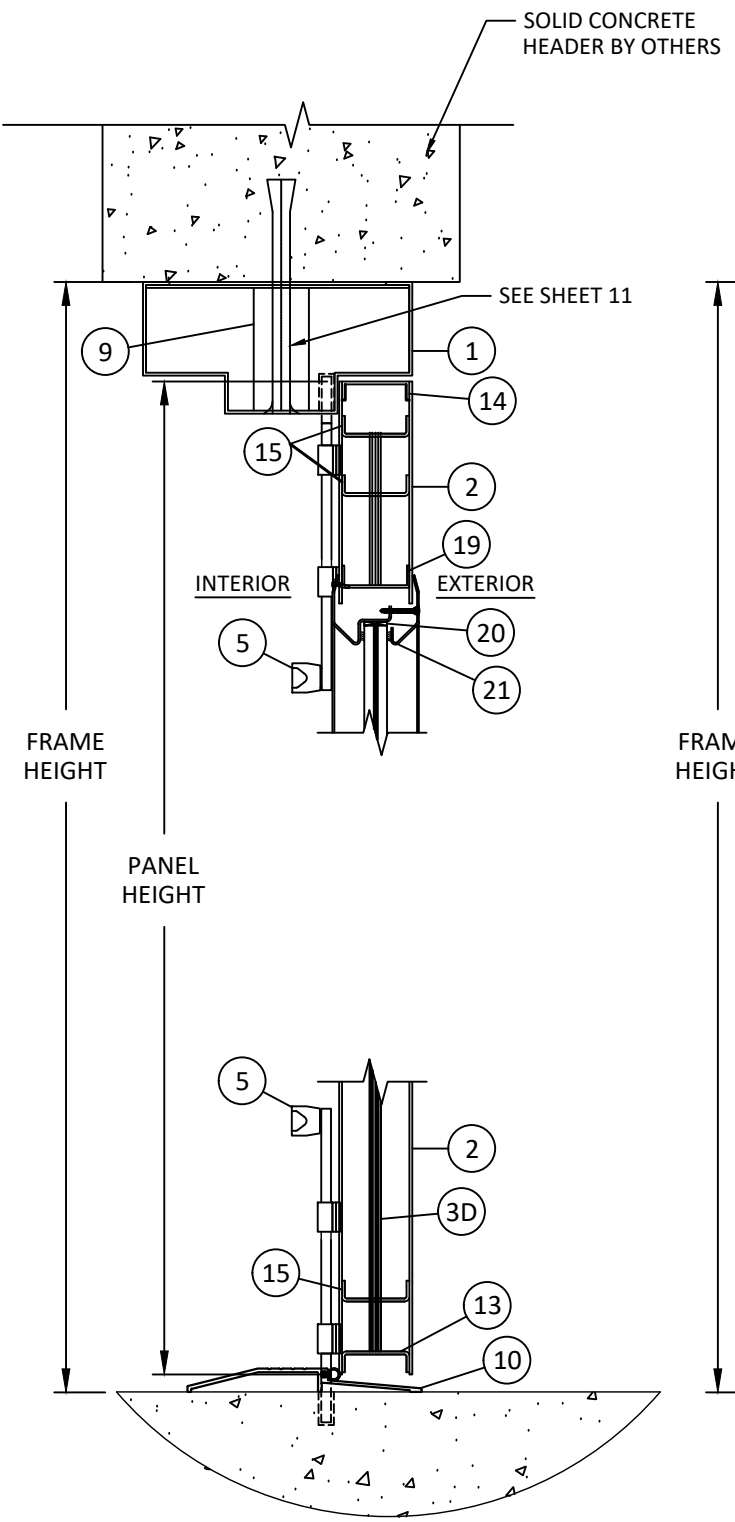


NOTES:
* JAMB BASE ANCHOR IS ONLY REQUIRED FOR MASONRY WIRE/T, COMBINATION & Z ANCHORS. NOT REQUIRED FOR EWA ANCHORS



3/18/2026 1:45 PM
c:\users\julianarodriguez\building_drops, inc\building_drops, inc\projects\de la fontaine\lbc-25-0101 - hager hardware revisions\dwgs\dlf003-a.dwg

**NOTE: EWA TUBE SHOWN.
EWA IS QUALIFIED FOR ALL
INSTALLATION SUBSTRATES
SHOWN.**



A
5
VERTICAL SECTION
HEAD/SILL - CONCRETE/MASONRY
(MORTISE LOCK/
CYLINDRICAL LOCK WITH SURFACE BOLTS)

B
5
VERTICAL SECTION
HEAD - STEEL STUD
SILL - CONCRETE/MASONRY
(SURFACE VERTICAL ROD)

C
5
VERTICAL SECTION
HEAD - 2X WOOD FRAME
SILL - CONCRETE
(REMOVABLE MULLION)

D
5
VERTICAL SECTION
HEAD - 2X WOOD FRAME
SILL - CONCRETE

DETAIL Z
OPTIONAL STANDARD
END CHANNEL



4115 RUE BRODEUR STREET
SHERBROOKE, QC J1L1K4
PH: (819) 821-9230 FX: (819) 569-5928

TITLE: OUTSWING DOUBLE & SINGLE
GLAZED STEEL DOOR (HVHZ)
(IMPACT)

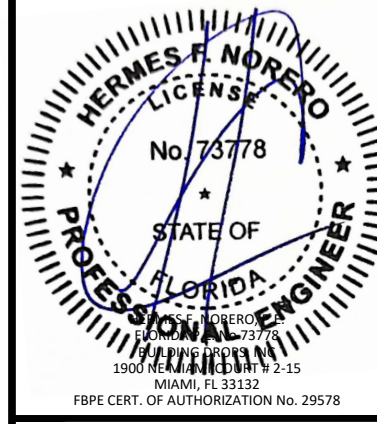
VERTICAL SECTIONS

PREPARED BY:
BUILDING DROPS, INC.
1900 NE MIAMI COURT, STE. 2-15
MIAMI, FL 33132
PH: (954) 399-8478
FAX: (954) 744-4738
WEB: www.buildingdrops.com



REMARKS	BY	DATE
HDW & DP UPDATE	DI	8/22/24
A: HDW UPDATE	JR	2/24/26

THE INSTALLATION DETAILS DESCRIBED HEREIN ARE GENERIC AND MAY NOT REFLECT ACTUAL CONDITIONS FOR A SPECIFIC SITE. IF SITE CONDITIONS CAUSE INSTALLATION TO DEVIATE FROM THE REQUIREMENTS DETAILED HEREIN, A LICENSED ENGINEER OR ARCHITECT SHALL PREPARE SITE SPECIFIC DOCUMENTS FOR USE WITH THIS DOCUMENT.

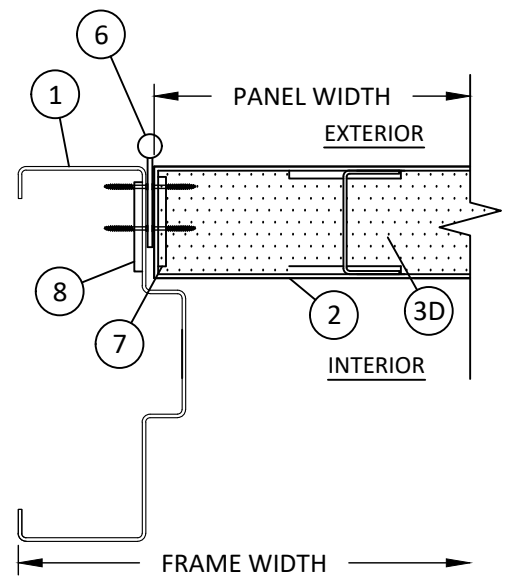


FL46851

DATE:	05.28.24	
DWG. BY:	DI	CHK. BY: HFN
SCALE:	NTS	
DWG. #:	DLF003	

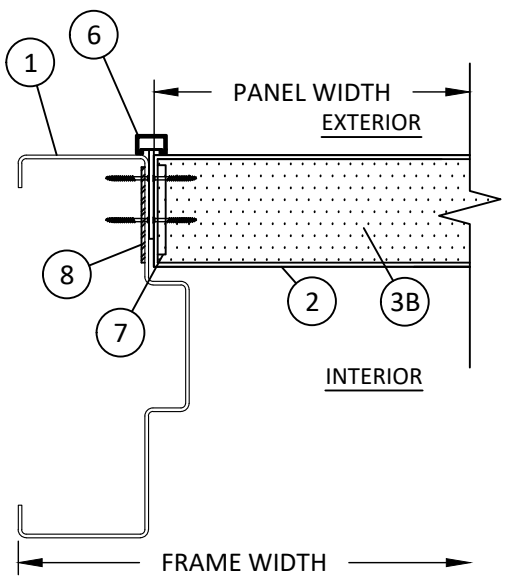
SHEET:
5
OF 18

3/18/2026 1:45 PM
 c:\users\julianarodriguez\building_drops, inc\building_drops, inc\projects\de la fontaine\lbc-25-0101 - hager hardware revisions\dwgs\dlf003-a.dwg

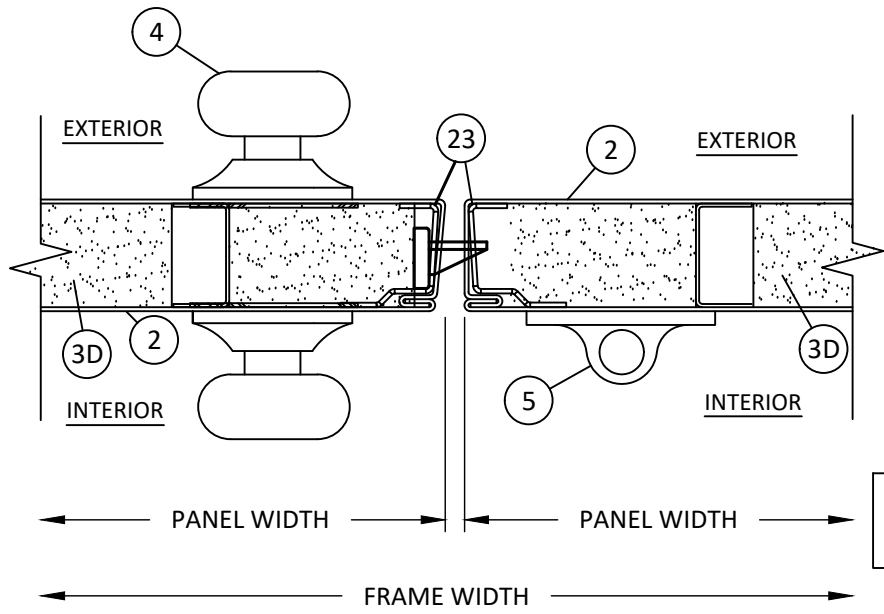


E
6 **HORIZONTAL SECTION**
BUTT HINGE JAMB

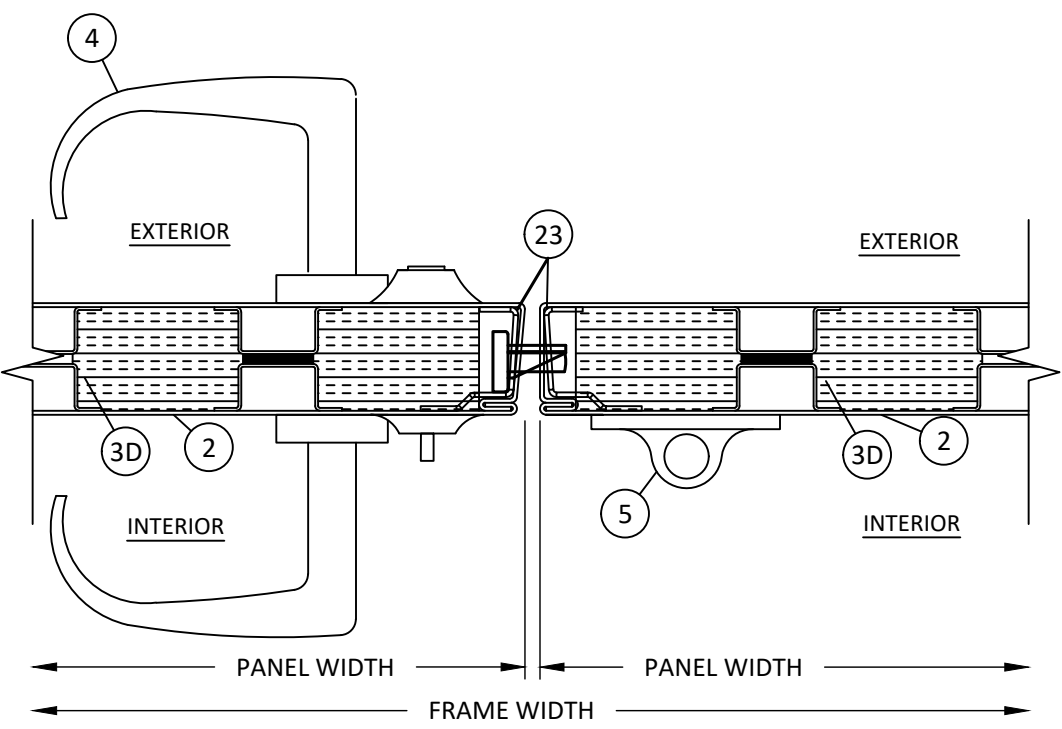
NOTE: DETAILS SHOWN WITH VARYING DOOR CORE TYPES. ANY DETAIL IS APPROVED TO BE USED WITH ANY CORE TYPE.



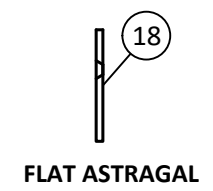
H
6 **HORIZONTAL SECTION**
CONTINUOUS HINGE JAMB



F
6 **HORIZONTAL SECTION**
CYLINDRICAL LOCK & SURFACE BOLT MEETING STILE



I
6 **HORIZONTAL SECTION**
MORTISE LOCK W/ DB & SURFACE BOLT MEETING STILE

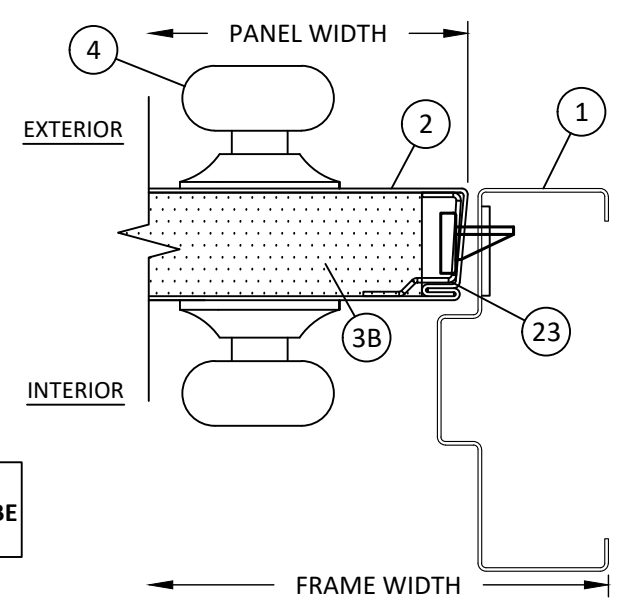


FLAT ASTRAGAL

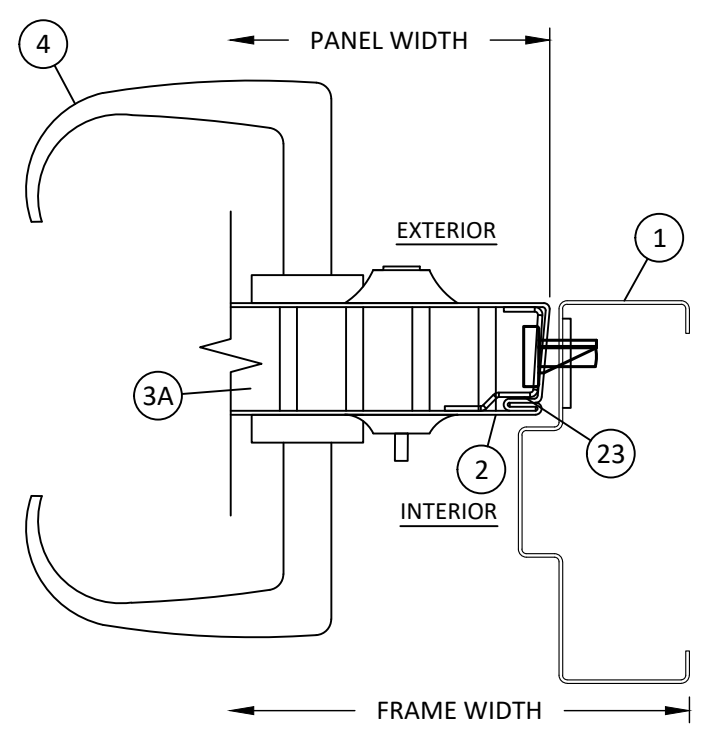


Z ASTRAGAL

NOTE: FLAT ASTRAGAL & Z ASTRAGAL IS QUALIFIED TO BE USED WITH ALL HARDWARE.



G
6 **HORIZONTAL SECTION**
CYLINDRICAL LOCK LOCK JAMB



J
6 **HORIZONTAL SECTION**
MORTISE LOCK WITH DEADBOLT LOCK JAMB



4115 RUE BRODEUR STREET
SHERBROOKE, QC J1L1K4
PH: (819) 821-9230 FX: (819) 569-5928

TITLE: OUTSWING DOUBLE & SINGLE GLAZED STEEL DOOR (HVHZ) (IMPACT)

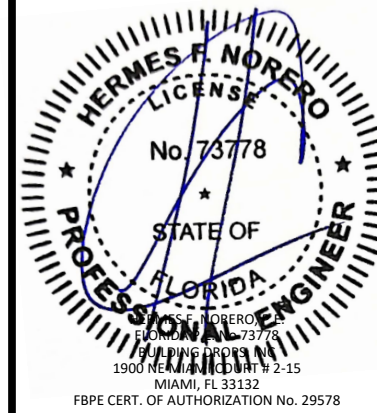
HORIZONTAL SECTIONS

PREPARED BY: BUILDING DROPS, INC.
1900 NE MIAMI COURT, STE. 2-15
MIAMI, FL 33132
PH: (954) 399-8478
FAX: (954) 744-4738
WEB: www.buildingdrops.com



REMARKS	BY	DATE
HDW & DP UPDATE	DI	8/22/24
A: HDW UPDATE	JR	2/24/26

THE INSTALLATION DETAILS DESCRIBED HEREIN ARE GENERIC AND MAY NOT REFLECT ACTUAL CONDITIONS FOR A SPECIFIC SITE. IF SITE CONDITIONS CAUSE INSTALLATION TO DEVIATE FROM THE REQUIREMENTS DETAILED HEREIN, A LICENSED ENGINEER OR ARCHITECT SHALL PREPARE SITE SPECIFIC DOCUMENTS FOR USE WITH THIS DOCUMENT.



FL46851

DATE: 05.28.24

DWG. BY: DI
CHK. BY: HFN

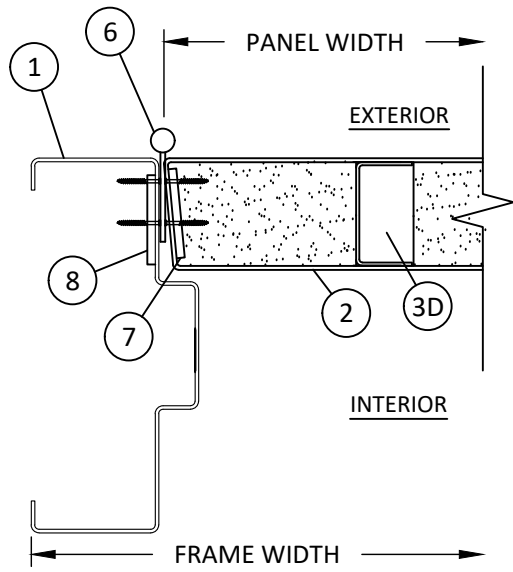
SCALE: NTS

DWG. #: DLF003

SHEET:

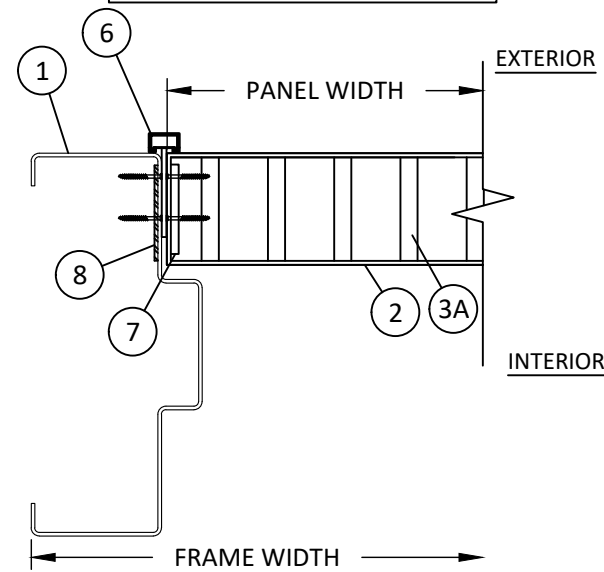
6

OF 18

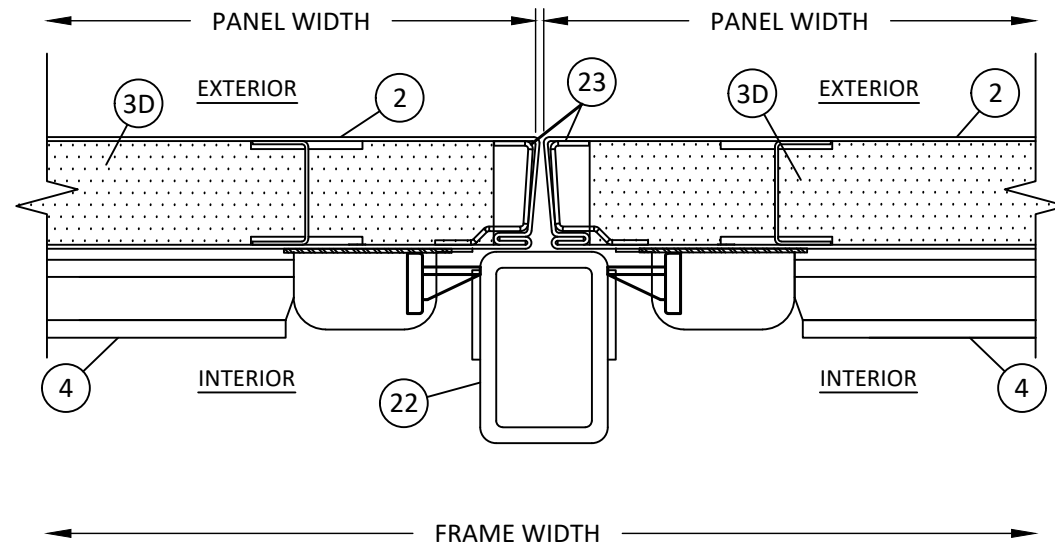


K
7 HORIZONTAL SECTION
BUTT HINGE JAMB

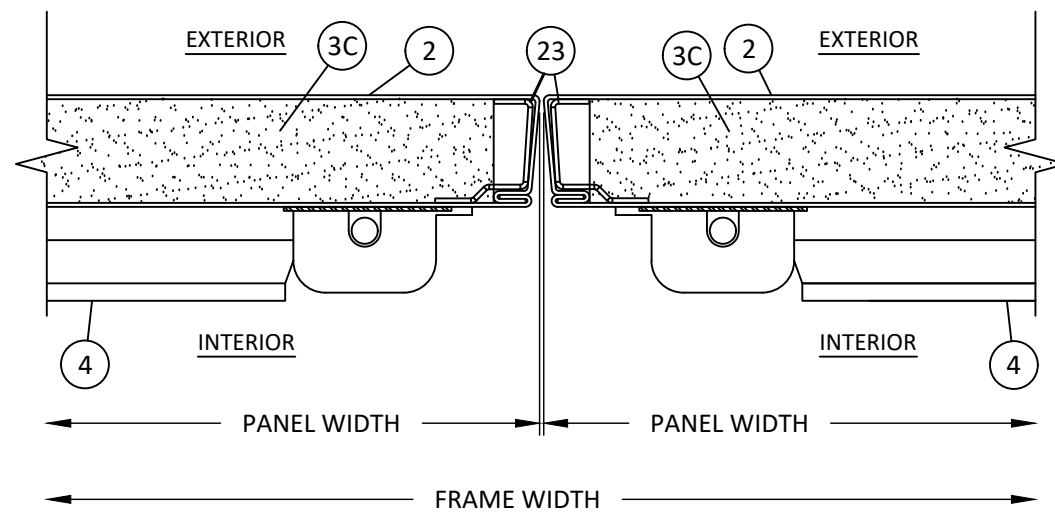
NOTE: DETAILS SHOWN WITH VARYING DOOR CORE TYPES. ANY DETAIL IS APPROVED TO BE USED WITH ANY CORE TYPE.



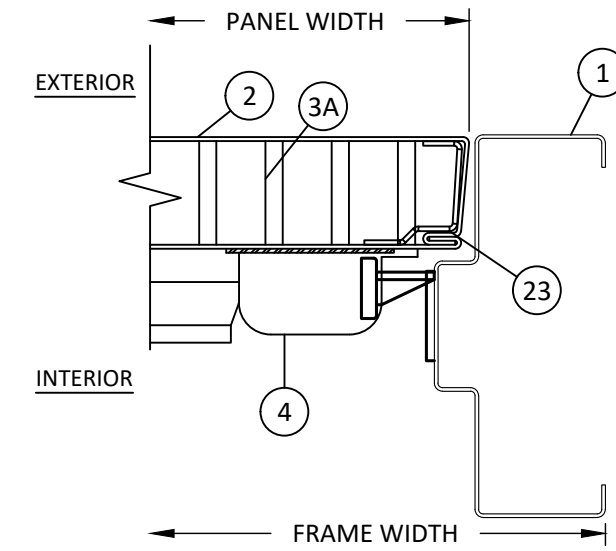
N
7 HORIZONTAL SECTION
CONTINUOUS HINGE JAMB



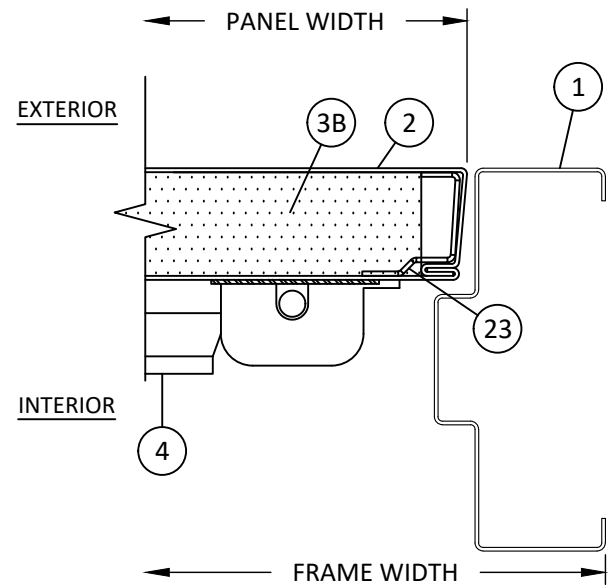
L
7 HORIZONTAL SECTION
RIM EXIT DEVICE W/ MULLION MEETING STILE



O
7 HORIZONTAL SECTION
SURFACE VERTICAL RODS MEETING STILE



M
7 HORIZONTAL SECTION
RIM EXIT DEVICE LOCK JAMB



P
7 HORIZONTAL SECTION
SURFACE VERTICAL RODS LOCK JAMB



4115 RUE BRODEUR STREET
SHERBROOKE, QC J1L1K4
PH: (819) 821-9230 FX: (819) 569-5928

TITLE: OUTSWING DOUBLE & SINGLE GLAZED STEEL DOOR (HVHZ) (IMPACT)

HORIZONTAL SECTIONS

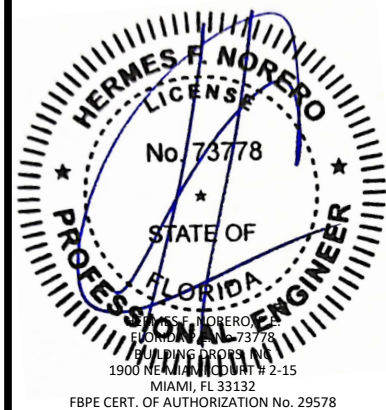
PREPARED BY: BUILDING DROPS, INC.

1900 NE MIAMI COURT, STE. 2-15
MIAMI, FL 33132
PH: (954) 399-8478
FAX: (954) 744-4738
WEB: www.buildingdrops.com



REMARKS	BY	DATE
HDW & DP UPDATE	DI	8/22/24
A: HDW UPDATE	JR	2/24/26

THE INSTALLATION DETAILS DESCRIBED HEREIN ARE GENERIC AND MAY NOT REFLECT ACTUAL CONDITIONS FOR A SPECIFIC SITE. IF SITE CONDITIONS CAUSE INSTALLATION TO DEVIATE FROM THE REQUIREMENTS DETAILED HEREIN, A LICENSED ENGINEER OR ARCHITECT SHALL PREPARE SITE SPECIFIC DOCUMENTS FOR USE WITH THIS DOCUMENT.



FL46851

DATE: 05.28.24

DWG. BY: DI
CHK. BY: HFN

SCALE: NTS

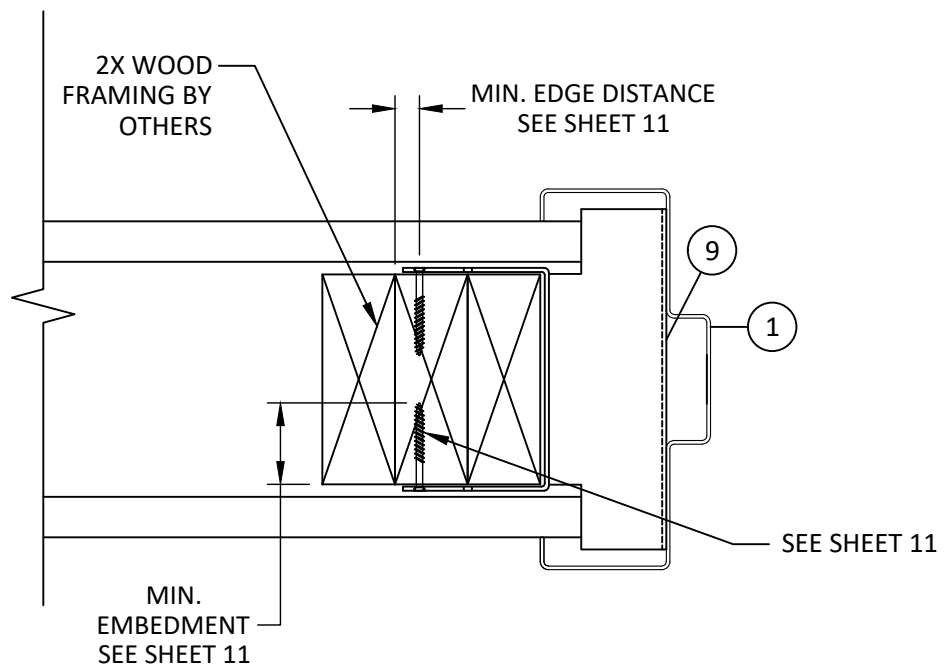
DWG. #: DLF003

SHEET:

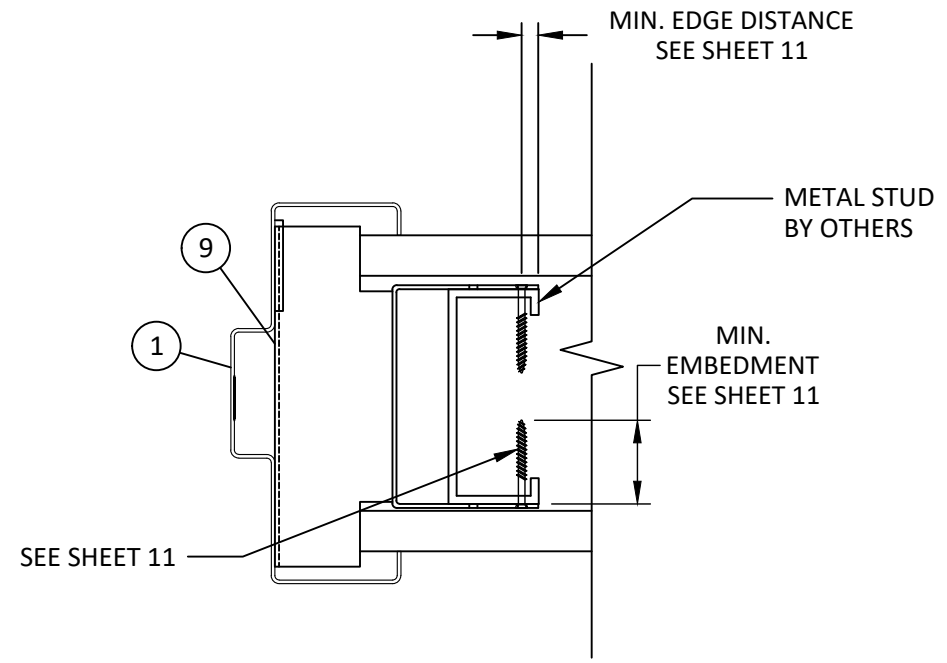
7

OF 18

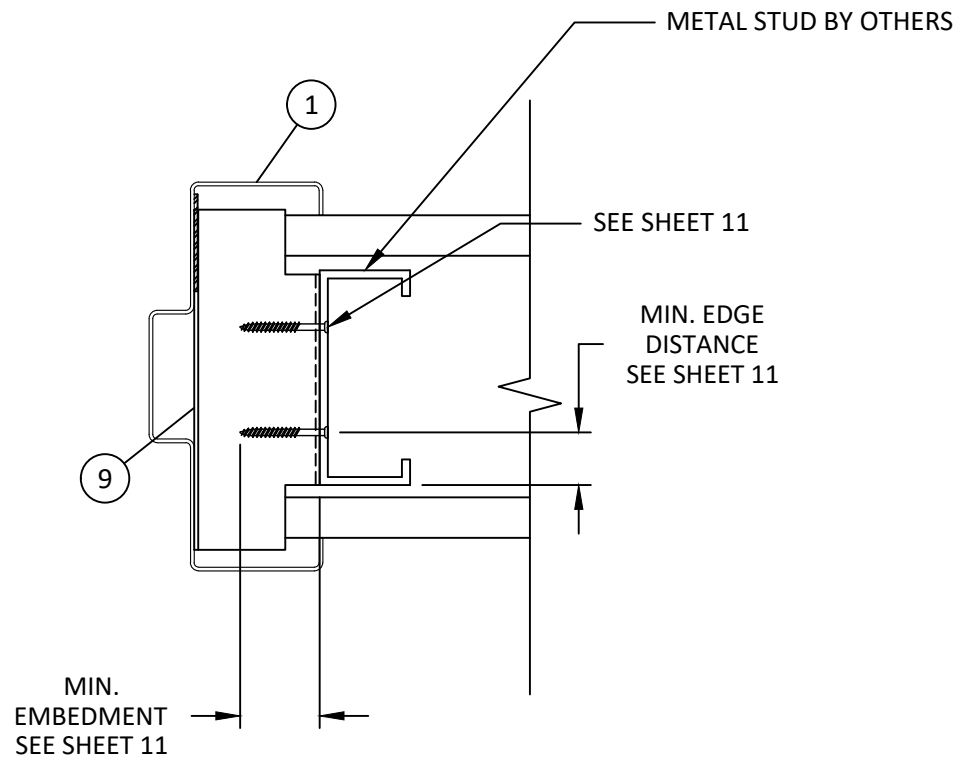
c:\users\julianarodriguez\building_drops, inc\building_drops, inc\building_drops, inc\projects\de la fontaine\lbc-25-0101 - hager hardware revisions\dwgs\dlf003-a.dwg 3/18/2026 1:45 PM



Q
8 **HORIZONTAL SECTION**
COMBINATION ANCHOR
WOOD STUD



R
8 **HORIZONTAL SECTION**
COMBINATION ANCHOR
METAL STUD



S
8 **HORIZONTAL SECTION**
Z ANCHOR
METAL STUD



4115 RUE BRODEUR STREET
SHERBROOKE, QC J1L1K4
PH: (819) 821-9230 FX: (819) 569-5928

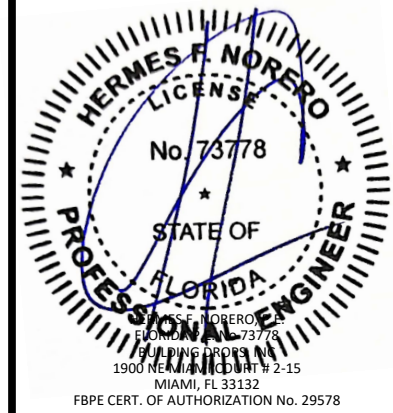
TITLE: OUTSWING DOUBLE & SINGLE
GLAZED STEEL DOOR (HVHZ)
(IMPACT)
INSTALLATION DETAILS -
COMBINATION AND Z
ANCHORS

PREPARED BY:
BUILDING DROPS, INC.
1900 NE MIAMI COURT, STE. 2-15
MIAMI, FL 33132
PH: (954) 399-8478
FAX: (954) 744-4738
WEB: www.buildingdrops.com



REMARKS	BY	DATE
HDW & DP UPDATE	DI	8/22/24
A: HDW UPDATE	JR	2/24/26

THE INSTALLATION DETAILS DESCRIBED HEREIN ARE GENERIC AND MAY NOT REFLECT ACTUAL CONDITIONS FOR A SPECIFIC SITE. IF SITE CONDITIONS CAUSE INSTALLATION TO DEVIATE FROM THE REQUIREMENTS DETAILED HEREIN, A LICENSED ENGINEER OR ARCHITECT SHALL PREPARE SITE SPECIFIC DOCUMENTS FOR USE WITH THIS DOCUMENT.

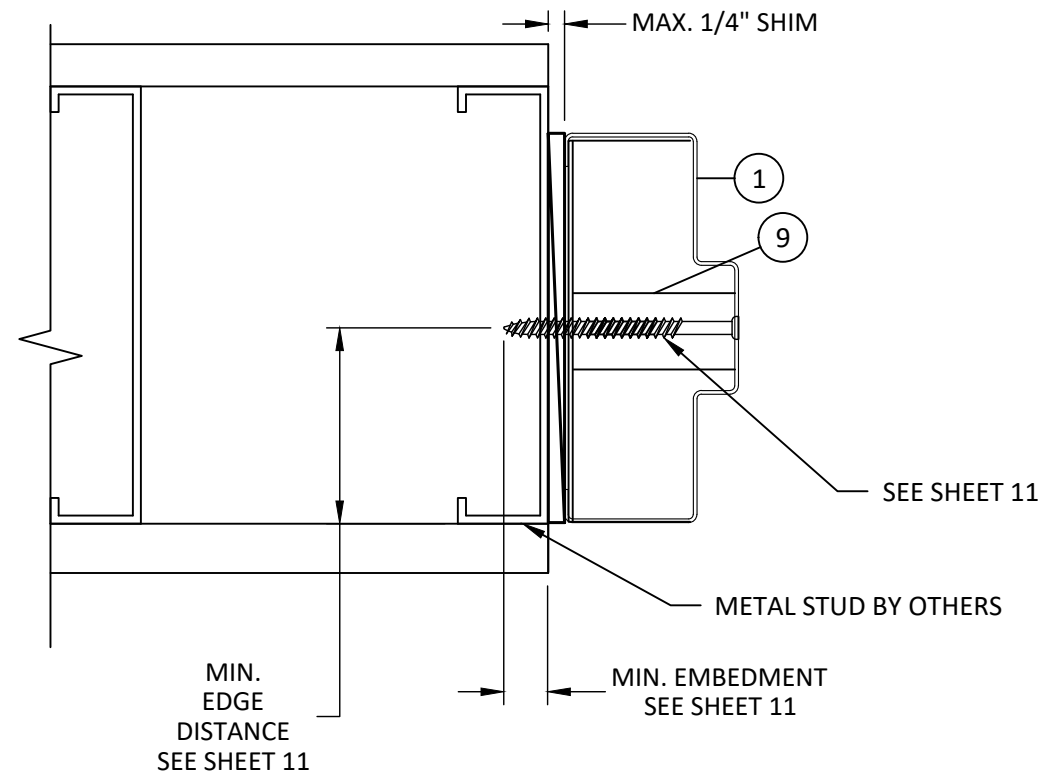


FL46851

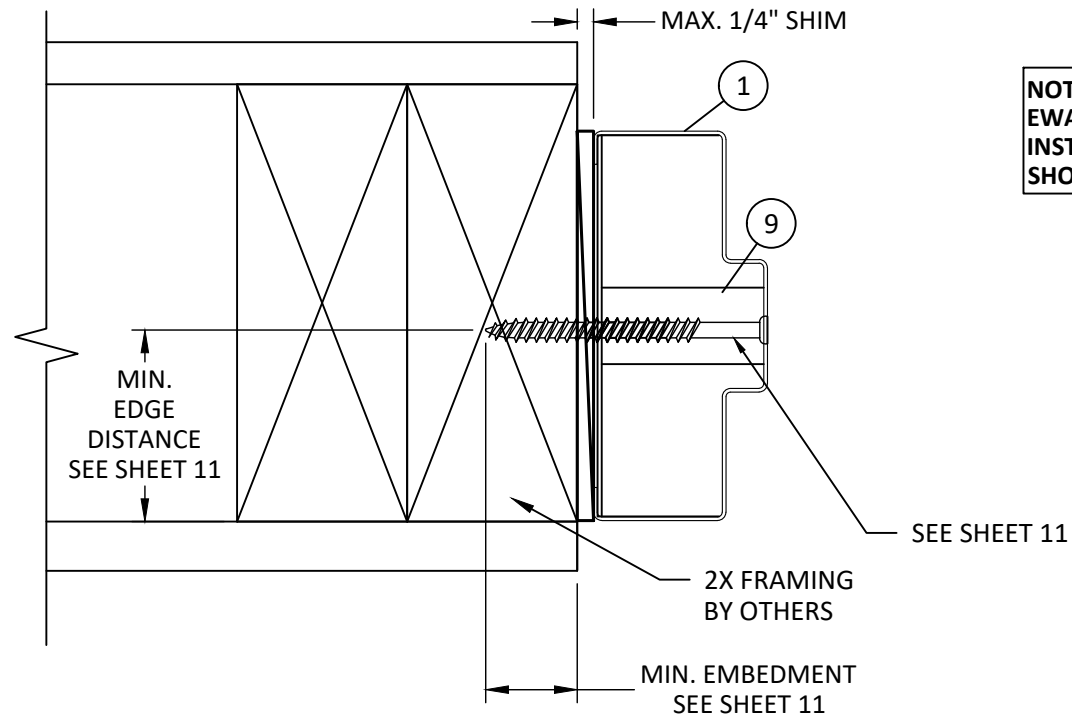
DATE:	05.28.24	
DWG. BY:	DI	CHK. BY: HFN
SCALE:	NTS	
DWG. #:	DLF003	

SHEET:
8
OF 18

c:\users\julianarodriguez\building_drops, inc\building_drops, inc\documents\common\projects\de la fontaine\lbc-25-0101 - hager hardware revisions\dwgs\dif003-a.dwg 3/18/2026 1:45 PM

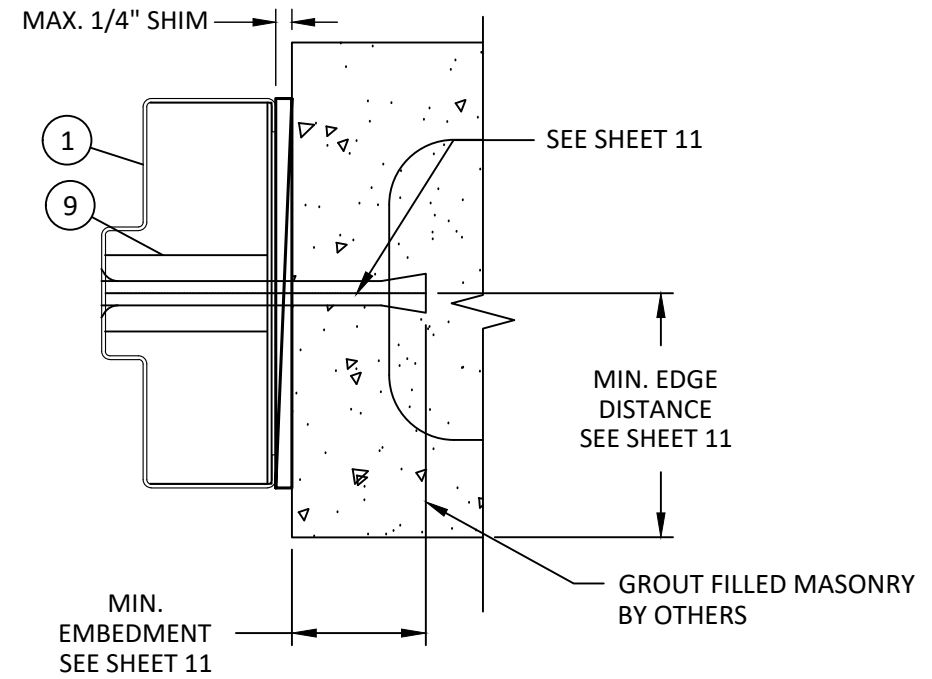


T
9 HORIZONTAL SECTION
EWA TUBE ANCHOR
METAL STUD

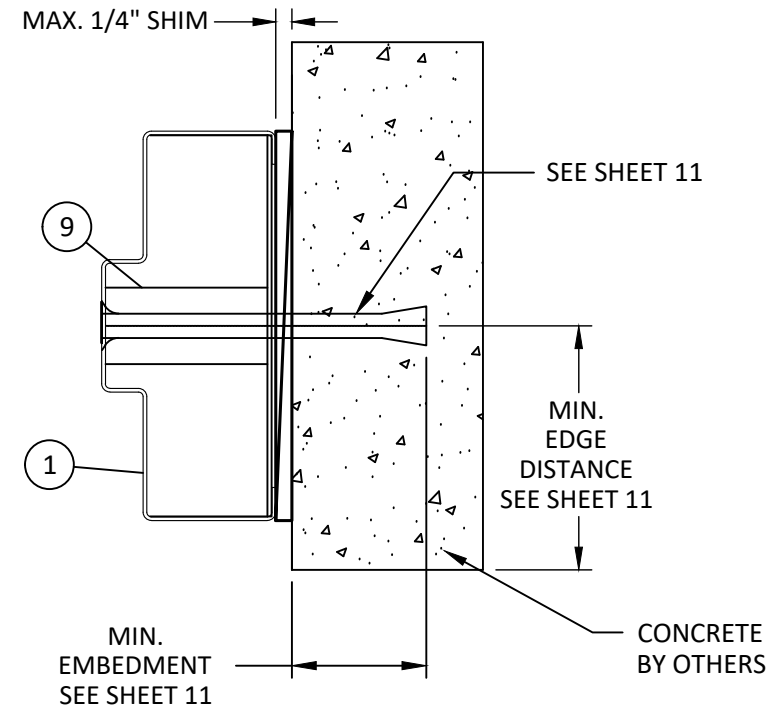


V
9 HORIZONTAL SECTION
EWA TUBE ANCHOR
WOOD STUD

NOTE: EWA TUBE SHOWN.
EWA IS QUALIFIED FOR ALL
INSTALLATION SUBSTRATES
SHOWN.



U
9 HORIZONTAL SECTION
EWA TUBE ANCHOR
CONCRETE MASONRY UNIT



W
9 HORIZONTAL SECTION
EWA TUBE ANCHOR
CONCRETE



4115 RUE BRODEUR STREET
SHERBROOKE, QC J1L1K4
PH: (819) 821-9230 FX: (819) 569-5928

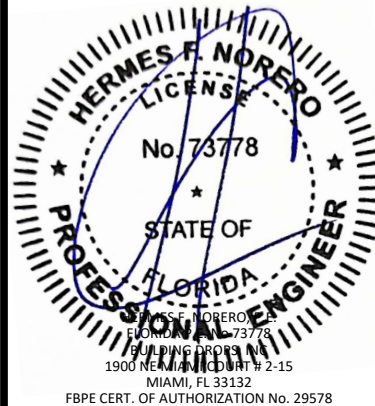
TITLE: OUTSWING DOUBLE & SINGLE
GLAZED STEEL DOOR (HVHZ)
(IMPACT)

INSTALLATION DETAILS -
EWA ANCHORS

PREPARED BY:
BUILDING DROPS, INC.
1900 NE MIAMI COURT, STE. 2-15
MIAMI, FL 33132
PH: (954) 399-8478
FAX: (954) 744-4738
WEB: www.buildingdrops.com

REMARKS	BY	DATE
HDW & DP UPDATE	DI	8/22/24
A: HDW UPDATE	JR	2/24/26

THE INSTALLATION DETAILS DESCRIBED HEREIN ARE GENERIC AND MAY NOT REFLECT ACTUAL CONDITIONS FOR A SPECIFIC SITE. IF SITE CONDITIONS CAUSE INSTALLATION TO DEVIATE FROM THE REQUIREMENTS DETAILED HEREIN, A LICENSED ENGINEER OR ARCHITECT SHALL PREPARE SITE SPECIFIC DOCUMENTS FOR USE WITH THIS DOCUMENT.



FL46851

DATE: 05.28.24

DWG. BY: DI
CHK. BY: HFN

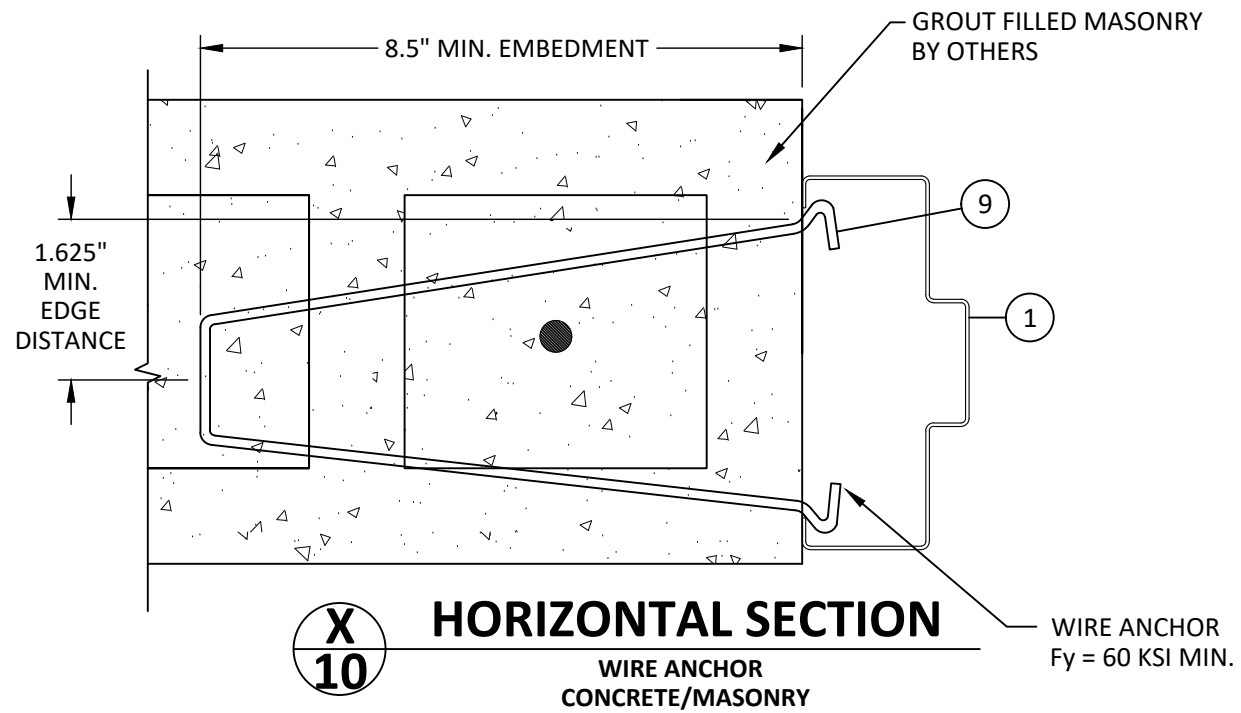
SCALE: NTS

DWG. #: DLF003

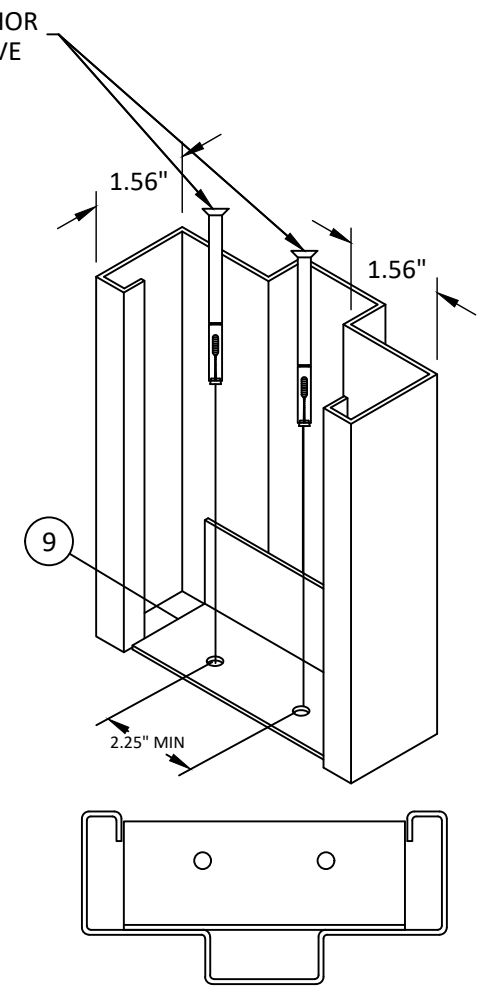
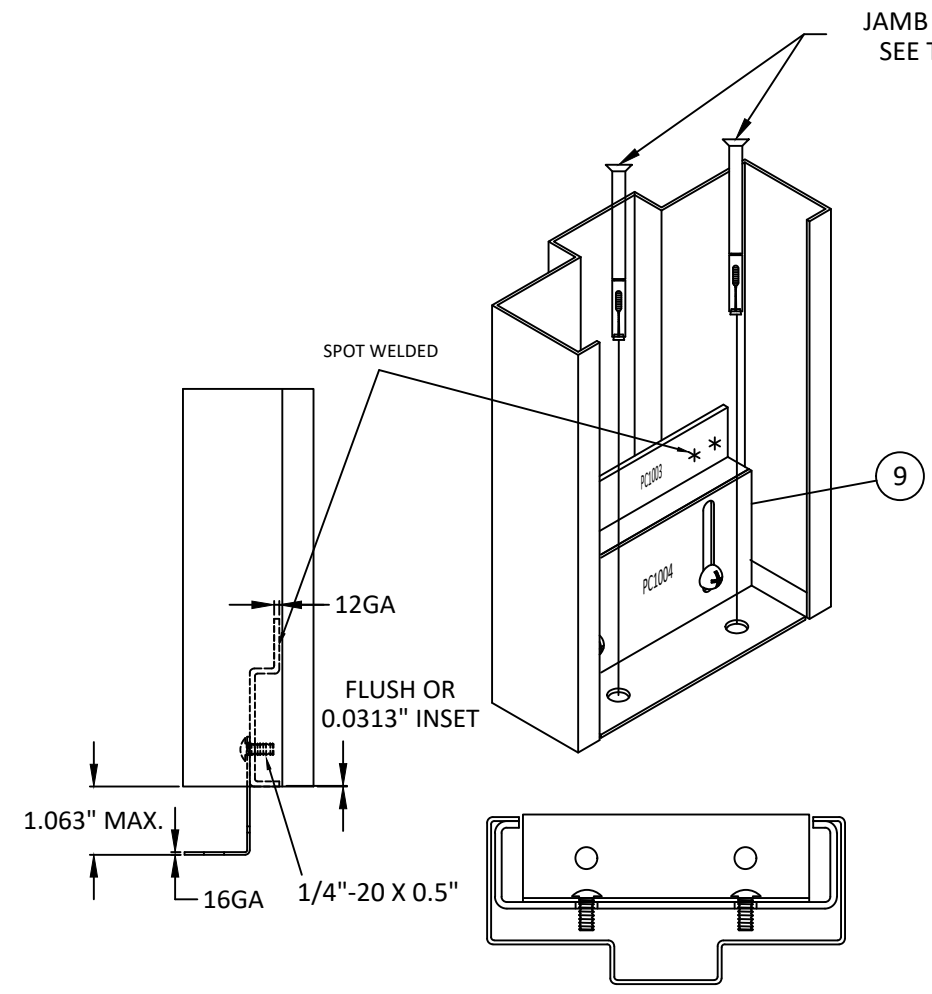
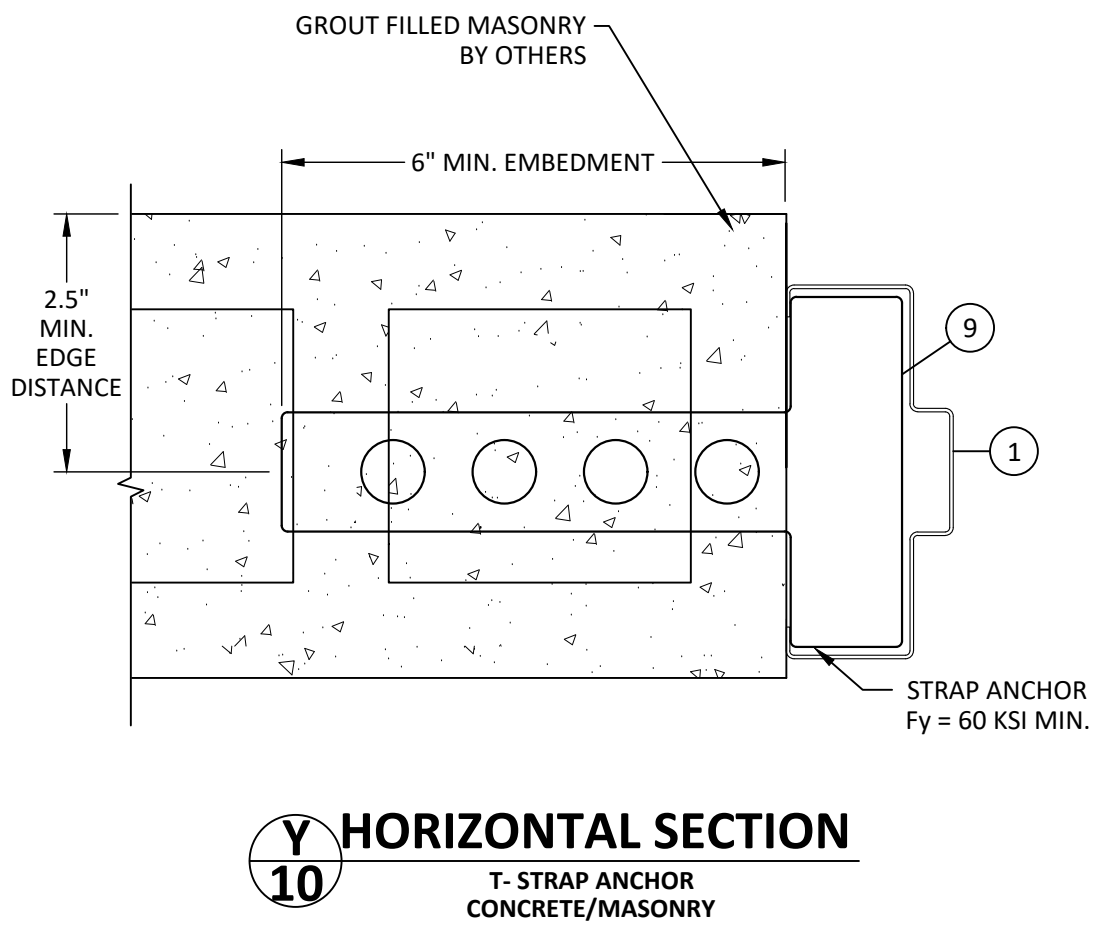
SHEET:

9

3/18/2026 1:45 PM
 c:\users\julianarodriguez\building_drops, inc\building_drops, inc\projects\de la fontaine\lbc-25-0101 - hager hardware revisions\dwgs\dlf003-a.dwg



ANCHOR SCHEDULE			
SUBSTRATE	ANCHOR TYPE	MIN. EMBEDMENT	MIN. EDGE DISTANCE
WOOD: MIN. S.G. = 0.55	#10 WOOD SCREW	1-1/2"	3/4"
STEEL: MIN. 18 GA. MIN. Fy = 33 ksi	#10 GRADE 5 SELF-DRILLING/ SELF-TAPPING SCREW	3 THREADS MIN PENETRATION BEYOND METAL	1/2"
ALUMINUM: MIN. 1/8" THICK MIN. 6063-T5			
CONCRETE: MIN. f'c = 3000 psi	3/16" ITW TAPCON	1"	2"
MASONRY: CMU per ASTM C90 MIN. 2000 PSI	3/16" ITW TAPCON	1"	2"



NOTE: WELDED OR
ADJUSTABLE BASE ANCHOR TO BE
USED WITH T-STRAP, WIRE,
COMBINATION & Z ANCHOR ONLY



4115 RUE BRODEUR STREET
SHERBROOKE, QC J1L1K4
PH: (819) 821-9230 FX: (819) 569-5928

TITLE: OUTSWING DOUBLE & SINGLE
GLAZED STEEL DOOR (HVHZ)
(IMPACT)

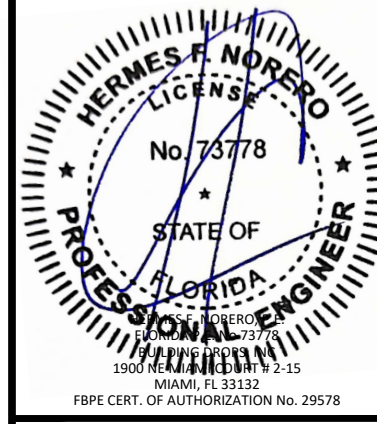
INSTALLATION DETAILS - WIRE/T
MASONRY & JAMB BASE
ANCHORS

PREPARED BY: BUILDING DROPS, INC.
1900 NE MIAMI COURT, STE. 2-15
MIAMI, FL 33132
PH: (954) 399-8478
FAX: (954) 744-4738
WEB: www.buildingdrops.com

BUILDING DROPS

REMARKS	BY	DATE
HDW & DP UPDATE	DI	8/22/24
A: HDW UPDATE	JR	2/24/26

THE INSTALLATION DETAILS DESCRIBED HEREIN ARE GENERIC
AND MAY NOT REFLECT ACTUAL CONDITIONS FOR A SPECIFIC
SITE. IF SITE CONDITIONS CAUSE INSTALLATION TO DEVIATE
FROM THE REQUIREMENTS DETAILED HEREIN, A LICENSED
ENGINEER OR ARCHITECT SHALL PREPARE SITE SPECIFIC
DOCUMENTS FOR USE WITH THIS DOCUMENT.



FL46851

DATE: 05.28.24

DWG. BY: DI	CHK. BY: HFN
----------------	-----------------

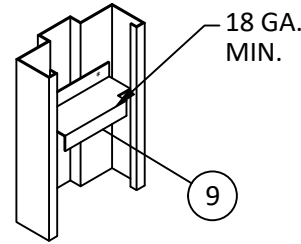
SCALE: NTS

DWG. #: DLF003

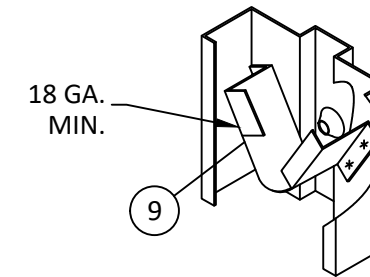
SHEET: 10 OF 18

INSTALLATION NOTES:

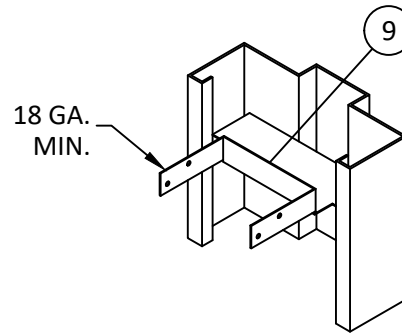
- ONE (1) INSTALLATION ANCHOR IS REQUIRED AT EACH ANCHOR LOCATION SHOWN UNLESS OTHERWISE NOTED.
- THE NUMBER OF INSTALLATION ANCHORS DEPICTED IS THE MINIMUM NUMBER OF ANCHORS TO BE USED FOR PRODUCT INSTALLATION.
- INSTALL INDIVIDUAL INSTALLATION ANCHORS WITHIN A TOLERANCE OF ±1/2 INCH OF THE DEPICTED LOCATION IN THE ANCHOR LAYOUT DETAIL (I.E., WITHOUT CONSIDERATION OF TOLERANCES). TOLERANCES ARE NOT CUMULATIVE FROM ONE INSTALLATION ANCHOR TO THE NEXT.
- SHIM AS REQUIRED AT EACH INSTALLATION ANCHOR WITH LOAD BEARING SHIM(S). MAXIMUM ALLOWABLE SHIM STACK TO BE 1/4 INCH. SHIM WHERE SPACE OF 1/16 INCH OR GREATER OCCURS. SHIM(S) SHALL BE CONSTRUCTED OF HIGH DENSITY PLASTIC OR BETTER.
- MINIMUM EMBEDMENT AND EDGE DISTANCE EXCLUDE WALL FINISHES, INCLUDING BUT NOT LIMITED TO STUCCO, FOAM, BRICK VENEER, AND SIDING.
- INSTALLATION ANCHORS AND ASSOCIATED HARDWARE MUST BE MADE OF CORROSION RESISTANT MATERIAL OR HAVE A CORROSION RESISTANT COATING.
- FOR GROUT FILLED BLOCK, DO NOT INSTALL INSTALLATION ANCHORS INTO MORTAR JOINTS. EDGE DISTANCE IS MEASURED FROM FREE EDGE OF BLOCK OR EDGE OF MORTAR JOINT INTO FACE SHELL OF BLOCK.
- INSTALLATION ANCHORS SHALL BE INSTALLED IN ACCORDANCE WITH ANCHOR MANUFACTURER'S INSTALLATION INSTRUCTIONS, AND ANCHORS SHALL NOT BE USED IN SUBSTRATES WITH STRENGTHS LESS THAN THE MINIMUM STRENGTH SPECIFIED BY THE ANCHOR MANUFACTURER.



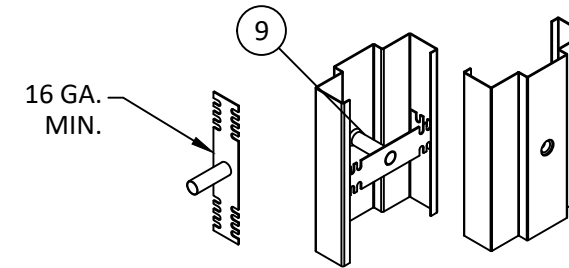
DETAIL CC
Z ANCHOR



DETAIL EE
EXISTING WALL ANCHOR (EWA)



DETAIL DD
COMBINATION WOOD/STEEL STUD ANCHOR



DETAIL FF
EXISTING WALL ANCHOR (EWA) TUBE

EWA & EWA TUBE ANCHOR SCHEDULE			
SUBSTRATE	ANCHOR TYPE	MIN. EMBEDMENT	MIN. EDGE DISTANCE
WOOD: MIN. S.G. = 0.55	3/8" LAG SCREW	3"	1"
STEEL: MIN. 18 GA. MIN. Fy = 33 ksi	3/8" GRADE 5 SELF-DRILLING/ SELF-TAPPING SCREW	3 THREADS MIN PENETRATION BEYOND METAL	1/2"
ALUMINUM: MIN. 1/8" THICK MIN. 6063-T5			
CONCRETE: MIN. f'c = 3000 psi	3/8" ITW TAPCON	1-1/2"	2-1/4"
	3/8" ITW DYNABOLT	1-1/2"	2-1/4"
MASONRY: CMU per ASTM C90 MIN. 2000 PSI	3/8" ITW TAPCON	1-1/2"	2-1/4"
	3/8" ITW DYNABOLT	1-1/2"	2-1/4"

Z ANCHOR SCHEDULE			
SUBSTRATE	ANCHOR TYPE	MIN. EMBEDMENT	MIN. EDGE DISTANCE
STEEL: MIN. 18 GA. MIN. Fy = 33 ksi	#10 GRADE 5 SELF-DRILLING/ SELF-TAPPING SCREW	3 THREADS MIN PENETRATION BEYOND METAL	1/2"
ALUMINUM: MIN. 1/8" THICK MIN. 6063-T5			

COMBINATION ANCHOR SCHEDULE			
SUBSTRATE	ANCHOR TYPE	MIN. EMBEDMENT	MIN. EDGE DISTANCE
WOOD: MIN. S.G. = 0.55	#10 WOOD SCREW	1-1/2"	1/2"
STEEL: MIN. 18 GA. MIN. Fy = 33 ksi	#10 GRADE 5 SELF-DRILLING/ SELF-TAPPING SCREW	3 THREADS MIN PENETRATION BEYOND METAL	1/2"
ALUMINUM: MIN. 1/8" THICK MIN. 6063-T5			



4115 RUE BRODEUR STREET
SHERBROOKE, QC J1L1K4
PH: (819) 821-9230 FX: (819) 569-5928

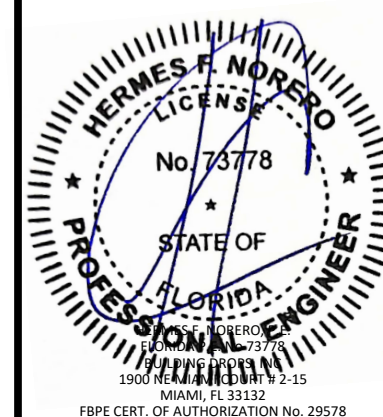
TITLE: OUTSWING DOUBLE & SINGLE
GLAZED STEEL DOOR (HVHZ)
(IMPACT)

INSTALLATION DETAILS &
NOTES

PREPARED BY: **BUILDING DROPS, INC.**
1900 NE MIAMI COURT, STE. 2-15
MIAMI, FL 33132
PH: (954) 399-8478
FAX: (954) 744-4738
WEB: www.buildingdrops.com

REMARKS	BY	DATE
HDW & DP UPDATE	DI	8/22/24
A: HDW UPDATE	JR	2/24/26

THE INSTALLATION DETAILS DESCRIBED HEREIN ARE GENERIC AND MAY NOT REFLECT ACTUAL CONDITIONS FOR A SPECIFIC SITE. IF SITE CONDITIONS CAUSE INSTALLATION TO DEVIATE FROM THE REQUIREMENTS DETAILED HEREIN, A LICENSED ENGINEER OR ARCHITECT SHALL PREPARE SITE SPECIFIC DOCUMENTS FOR USE WITH THIS DOCUMENT.



FL46851

DATE: **05.28.24**
DWG. BY: **DI** CHK. BY: **HFN**
SCALE: **NTS**
DWG. #: **DLF003**

SHEET: **11**
OF 18

c:\users\julianarodriguez\building_drops, inc\building_drops, inc\projects\de la fontaine\lbc-25-0101 - hager hardware revisions\dwgs\dlf003-a.dwg 3/18/2026 1:44 PM

GASKETING DETAILS FOR WATER INFILTRATION



4115 RUE BRODEUR STREET
SHERBROOKE, QC J1L1K4
PH: (819) 821-9230 FX: (819) 569-5928

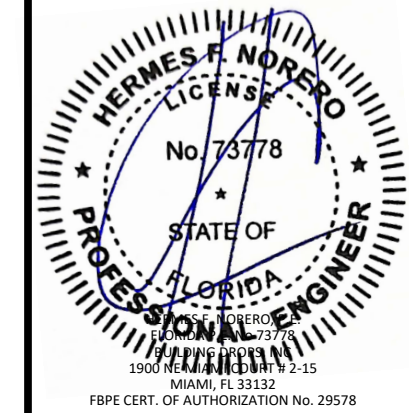
TITLE: OUTSWING DOUBLE & SINGLE GLAZED STEEL DOOR (HVHZ) (IMPACT)
GASKETING DETAILS FOR WATER INFILTRATION

PREPARED BY: BUILDING DROPS, INC.
1900 NE MIAMI COURT, STE. 2-15
MIAMI, FL 33132
PH: (954) 399-8478
FAX: (954) 744-4738
WEB: www.buildingdrops.com



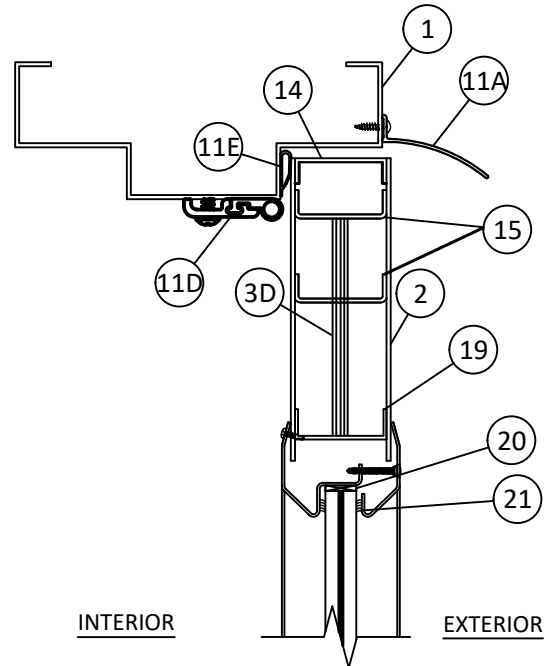
REMARKS	BY	DATE
HDW & DP UPDATE	DI	8/22/24
A: HDW UPDATE	JR	2/24/26

THE INSTALLATION DETAILS DESCRIBED HEREIN ARE GENERIC AND MAY NOT REFLECT ACTUAL CONDITIONS FOR A SPECIFIC SITE. IF SITE CONDITIONS CAUSE INSTALLATION TO DEVIATE FROM THE REQUIREMENTS DETAILED HEREIN, A LICENSED ENGINEER OR ARCHITECT SHALL PREPARE SITE SPECIFIC DOCUMENTS FOR USE WITH THIS DOCUMENT.

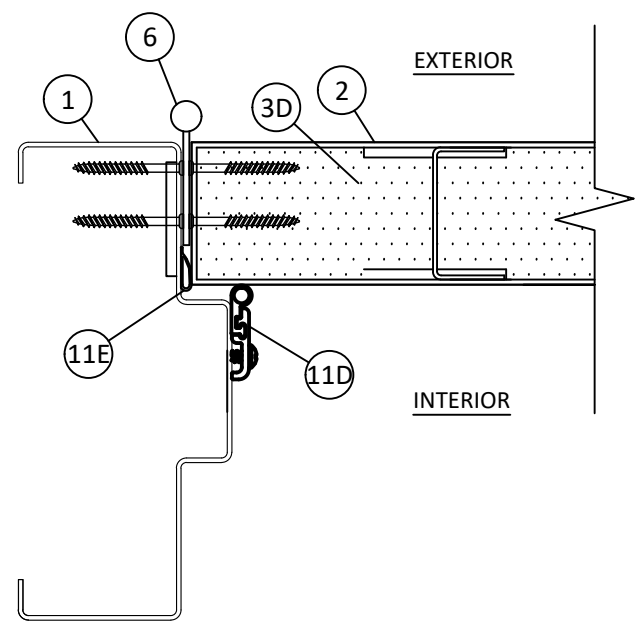


FL46851	
DATE:	05.28.24
DWG. BY:	DI
CHK. BY:	HFN
SCALE:	NTS
DWG. #:	DLF003

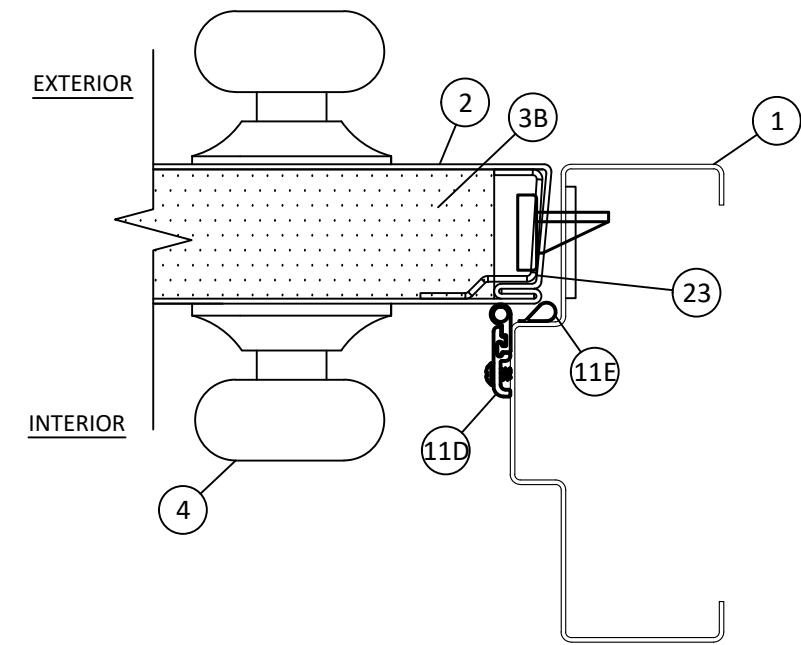
SHEET: 12 OF 18



INTERIOR EXTERIOR

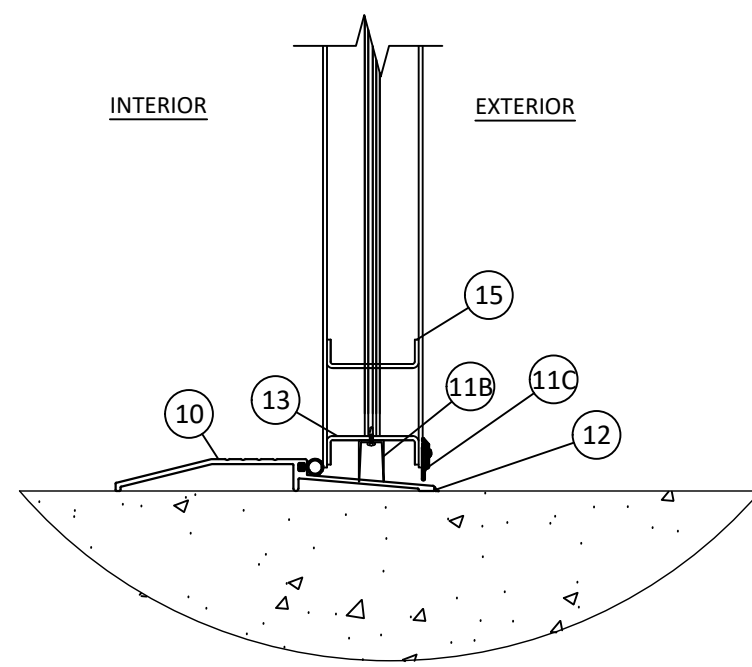


EXTERIOR INTERIOR



EXTERIOR INTERIOR

AB 12 HORIZONTAL SECTION
WATER INFILTRATION



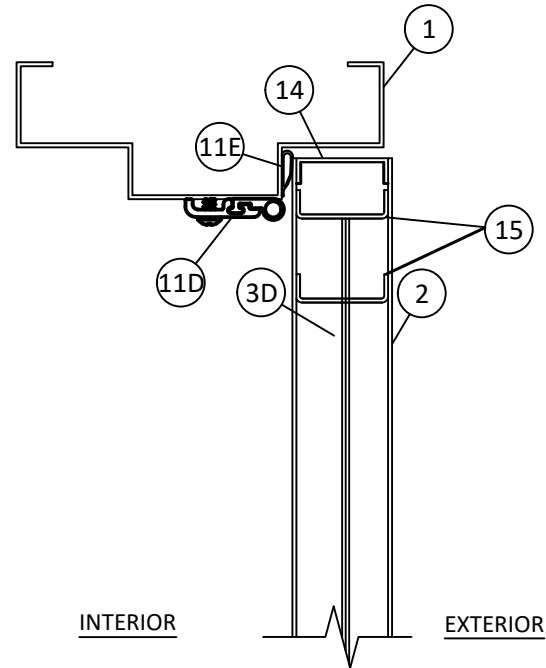
INTERIOR EXTERIOR

Z 12 VERTICAL SECTION
WATER INFILTRATION

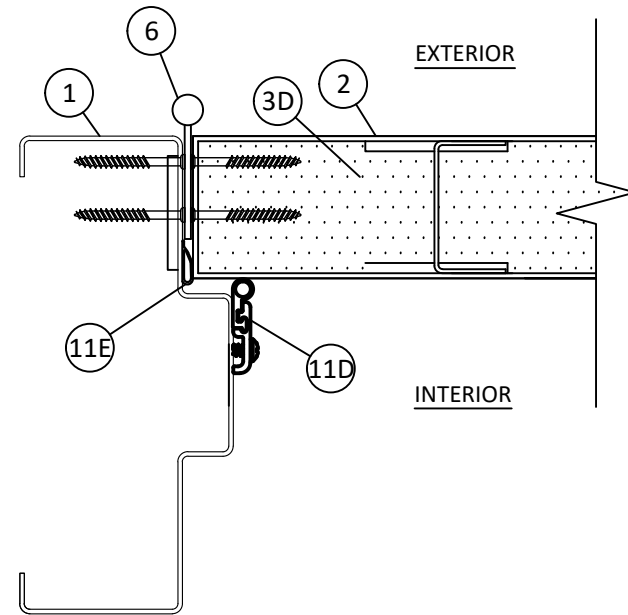
NOTE:
1. SEAL ALL JOINTS WHERE FRAME MEETS WALL WITH BUTYL RUBBER OR SILICONE CAULK.
2. INSTALL THRESHOLD INTO BEAD OF BUTYL RUBBER OR SILICONE CAULK.

c:\users\julianarodriguez\building_drops, inc\building_drops\projects\de la fontaine\lbc-25-0101 - hager hardware revisions\dwgs\dlf003-a.dwg 3/18/2026 1:45 PM

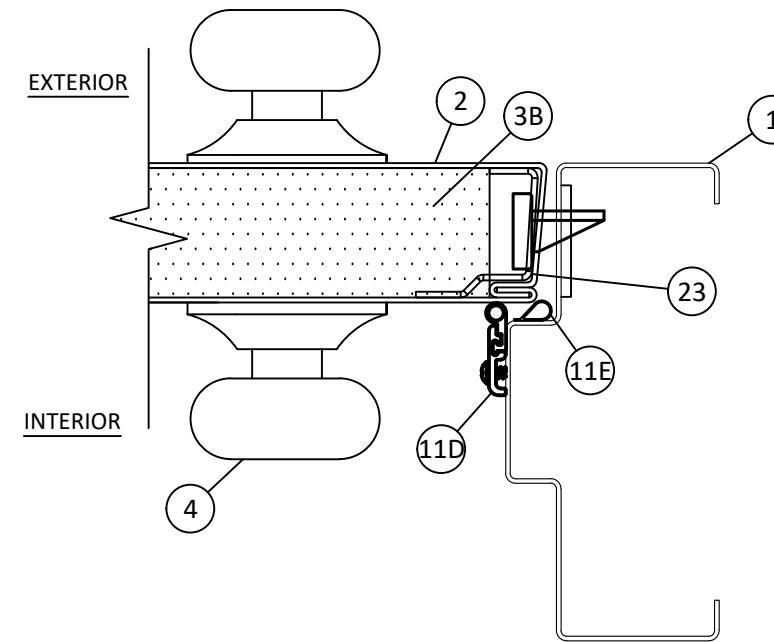
GASKETING DETAILS FOR AIR INFILTRATION



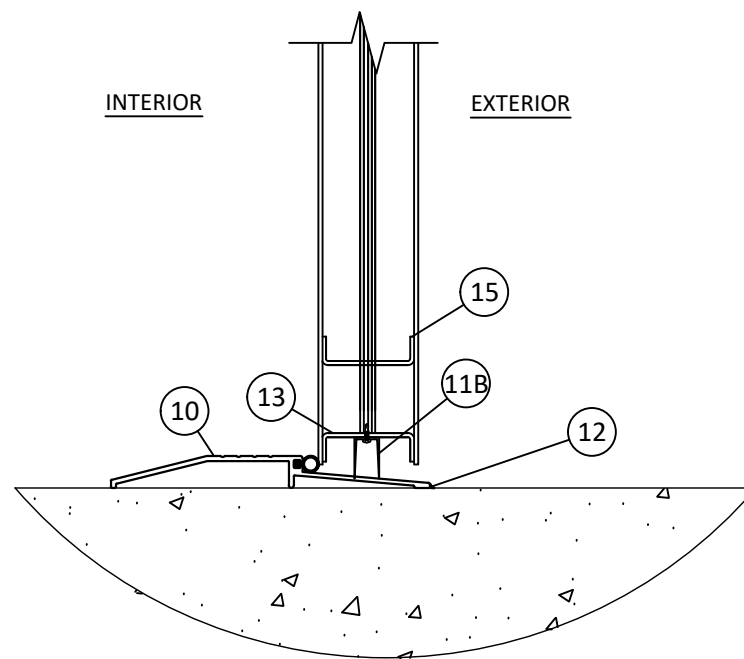
AC 13 VERTICAL SECTION
AIR INFILTRATION



AD 13 HORIZONTAL SECTION
AIR INFILTRATION



AE 13 HORIZONTAL SECTION
AIR INFILTRATION



NOTE:
 1. SEAL ALL JOINTS WHERE FRAME MEETS WALL WITH BUTYL RUBBER OR SILICONE CAULK.
 2. INSTALL THRESHOLD INTO BEAD OF BUTYL RUBBER OR SILICONE CAULK.



4115 RUE BRODEUR STREET
 SHERBROOKE, QC J1L1K4
 PH: (819) 821-9230 FX: (819) 569-5928

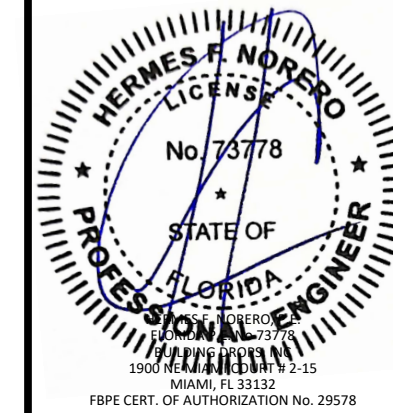
TITLE: OUTSWING DOUBLE & SINGLE GLAZED STEEL DOOR (HVHZ) (IMPACT)
 GASKETING DETAILS FOR AIR INFILTRATION

PREPARED BY: BUILDING DROPS, INC.
 1900 NE MIAMI COURT, STE. 2-15
 MIAMI, FL 33132
 PH: (954) 399-8478
 FAX: (954) 744-4738
 WEB: www.buildingdrops.com



REMARKS	BY	DATE
HDW & DP UPDATE	DI	8/22/24
A: HDW UPDATE	JR	2/24/26

THE INSTALLATION DETAILS DESCRIBED HEREIN ARE GENERIC AND MAY NOT REFLECT ACTUAL CONDITIONS FOR A SPECIFIC SITE. IF SITE CONDITIONS CAUSE INSTALLATION TO DEVIATE FROM THE REQUIREMENTS DETAILED HEREIN, A LICENSED ENGINEER OR ARCHITECT SHALL PREPARE SITE SPECIFIC DOCUMENTS FOR USE WITH THIS DOCUMENT.

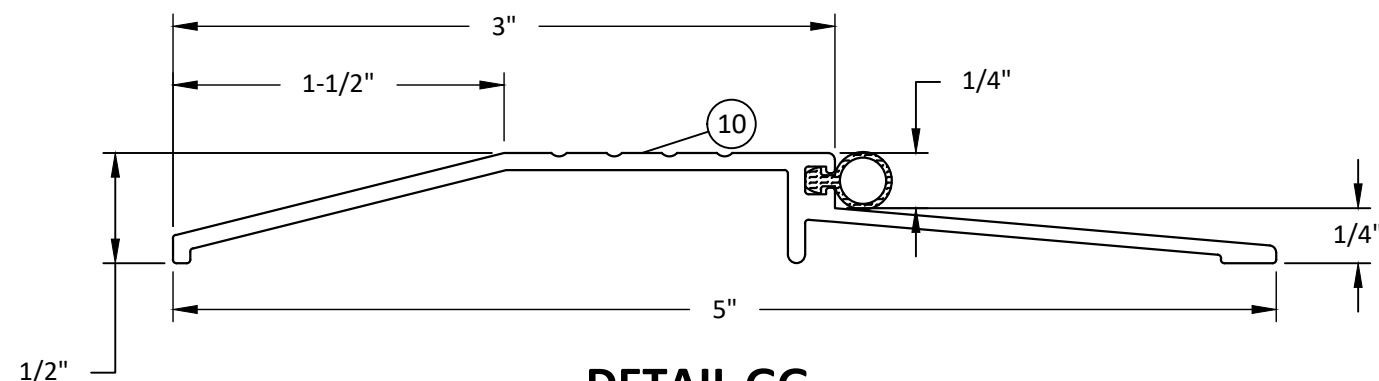
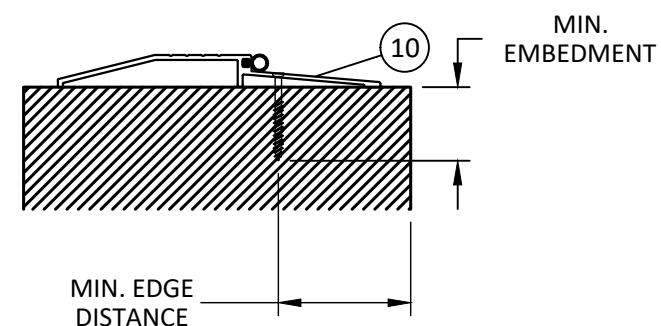
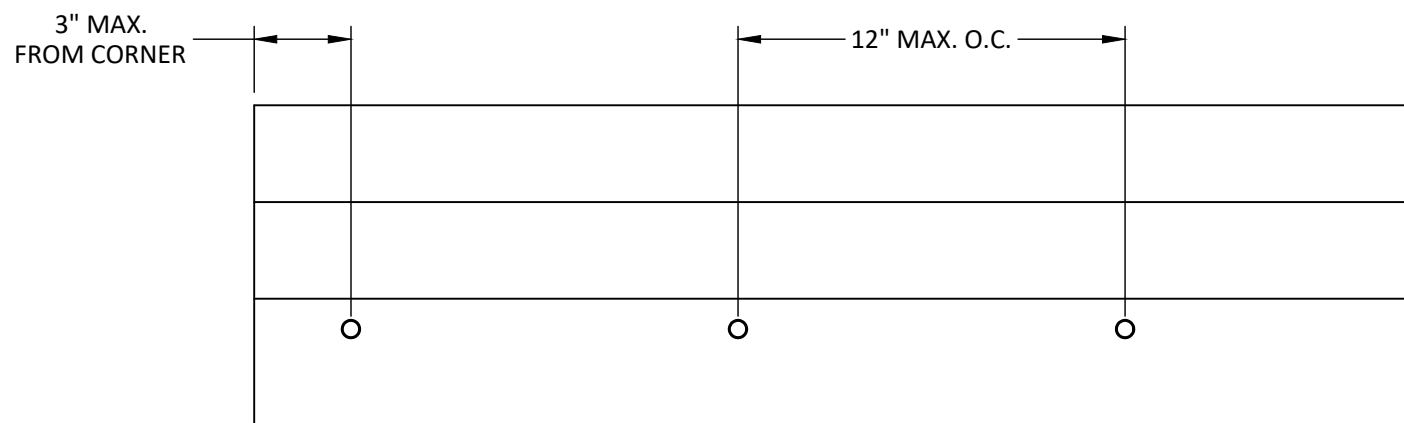


FL46851

DATE:	05.28.24
DWG. BY:	DI
CHK. BY:	HFN
SCALE:	NTS
DWG. #:	DLF003

SHEET: 13 OF 18

THRESHOLD ANCHOR SCHEDULE			
SUBSTRATE	ANCHOR TYPE	MIN. EMBEDMENT	MIN. EDGE DISTANCE
WOOD: MIN. S.G. = 0.55	#14 WOOD SCREW	1-1/2"	3/4"
CONCRETE: MIN. f'c = 3000 psi	1/4" ITW TAPCON	1-1/4"	2-1/2"



DETAIL GG
NGP 950N THRESHOLD

TITLE: OUTSWING DOUBLE & SINGLE
GLAZED STEEL DOOR (HVHZ)
(IMPACT)

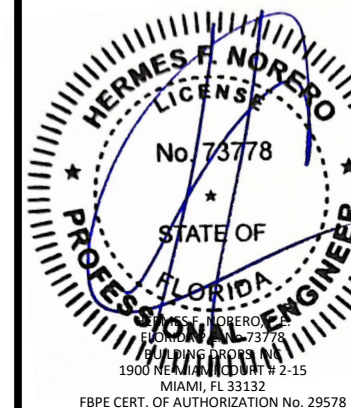
THRESHOLD DETAIL &
ANCHOR LAYOUT

PREPARED BY:
BUILDING DROPS, INC.
1900 NE MIAMI COURT, STE. 2-15
MIAMI, FL 33132
PH: (954) 399-8478
FAX: (954) 744-4738
WEB: www.buildingdrops.com



REMARKS	BY	DATE
HDW & DP UPDATE	DI	8/22/24
A: HDW UPDATE	JR	2/24/26

THE INSTALLATION DETAILS DESCRIBED HEREIN ARE GENERIC AND MAY NOT REFLECT ACTUAL CONDITIONS FOR A SPECIFIC SITE. IF SITE CONDITIONS CAUSE INSTALLATION TO DEVIATE FROM THE REQUIREMENTS DETAILED HEREIN, A LICENSED ENGINEER OR ARCHITECT SHALL PREPARE SITE SPECIFIC DOCUMENTS FOR USE WITH THIS DOCUMENT.



FL46851

DATE: **05.28.24**

DWG. BY: DI	CHK. BY: HFN
-----------------------	------------------------

SCALE: **NTS**

DWG. #: **DLF003**

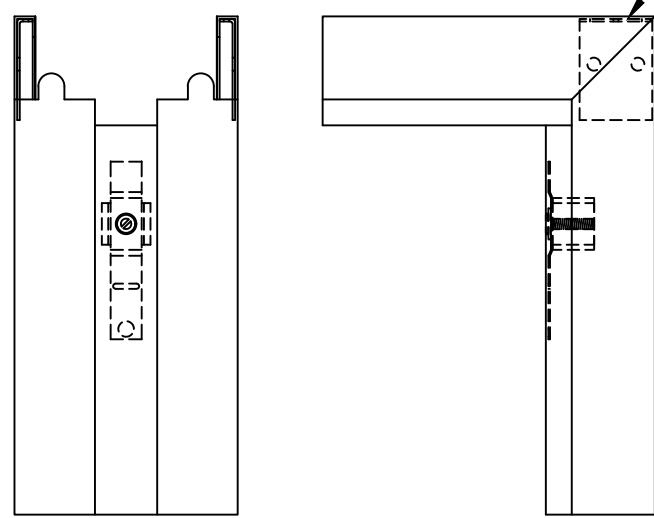
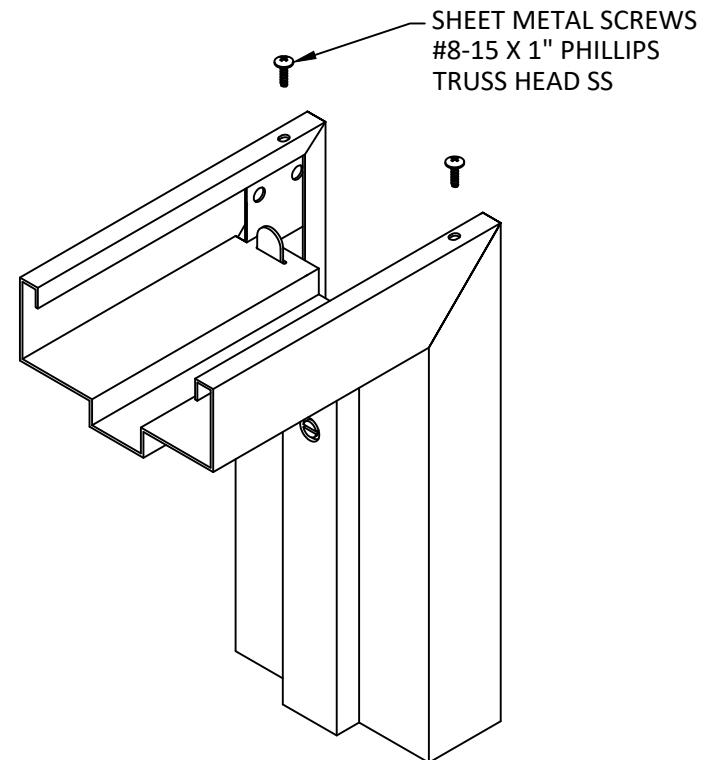
SHEET:

14

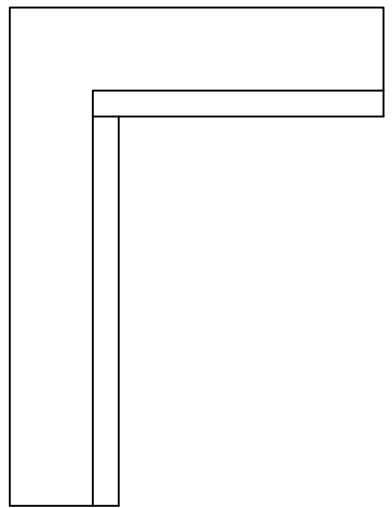
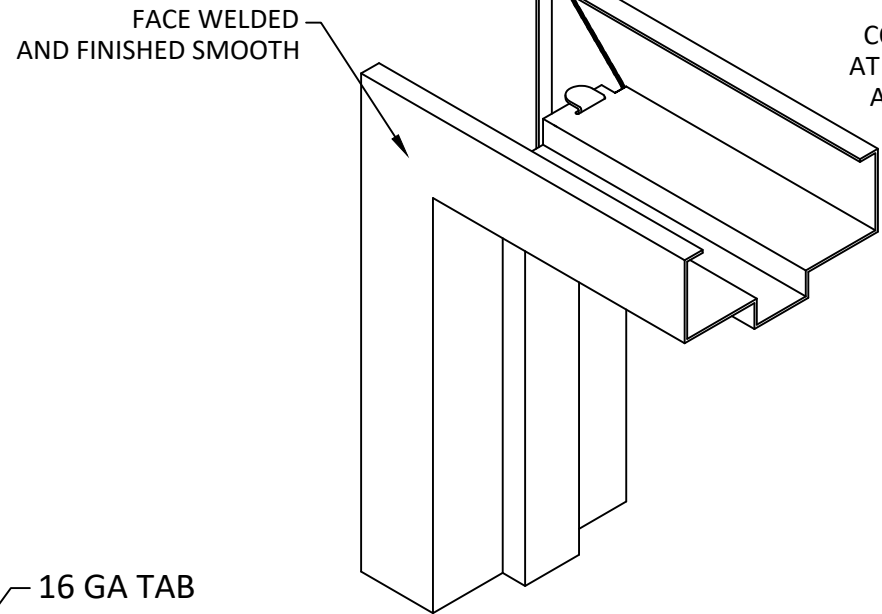
OF 18

c:\users\julianarodriguez\building_drops, inc\building_drops, inc\projects\de la fontaine\lbc-25-0101 - hager hardware revisions\dwgs\dlf003-a.dwg 3/18/2026 1:44 PM

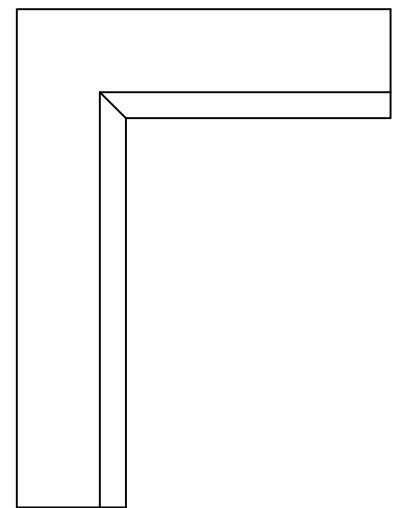
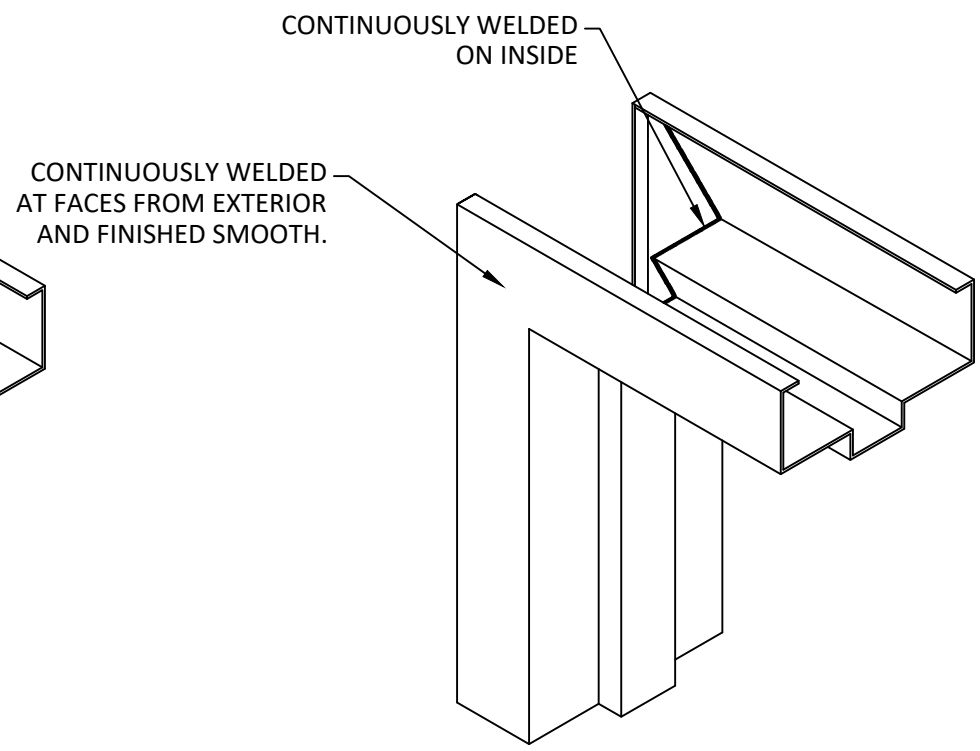
c:\users\julianarodriguez\building_drops, inc\building_drops, inc\building_drops, inc\projects\de la fontaine\lbc-25-0101 - hager hardware revisions\dwgs\dlf003-a.dwg 3/18/2026 1:45 PM



DETAIL HH
KNOCK DOWN CORNER CONSTRUCTION



DETAIL II
FACE WELDED CORNER CONSTRUCTION



DETAIL JJ
FULLY WELDED CORNER CONSTRUCTION



4115 RUE BRODEUR STREET
SHERBROOKE, QC J1L1K4
PH: (819) 821-9230 FX: (819) 569-5928

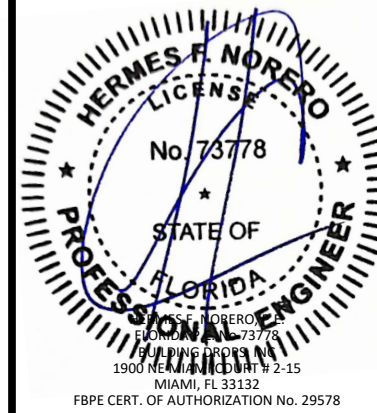
TITLE: OUTSWING DOUBLE & SINGLE GLAZED STEEL DOOR (HVHZ) (IMPACT)
CORNER CONSTRUCTION

PREPARED BY: BUILDING DROPS, INC.
1900 NE MIAMI COURT, STE. 2-15
MIAMI, FL 33132
PH: (954) 399-8478
FAX: (954) 744-4738
WEB: www.buildingdrops.com



REMARKS	BY	DATE
HDW & DP UPDATE	DI	8/22/24
A: HDW UPDATE	JR	2/24/26

THE INSTALLATION DETAILS DESCRIBED HEREIN ARE GENERIC AND MAY NOT REFLECT ACTUAL CONDITIONS FOR A SPECIFIC SITE. IF SITE CONDITIONS CAUSE INSTALLATION TO DEVIATE FROM THE REQUIREMENTS DETAILED HEREIN, A LICENSED ENGINEER OR ARCHITECT SHALL PREPARE SITE SPECIFIC DOCUMENTS FOR USE WITH THIS DOCUMENT.

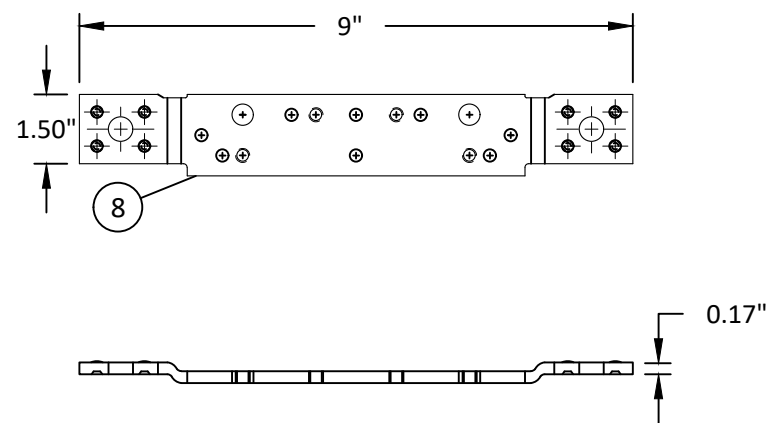


FL46851

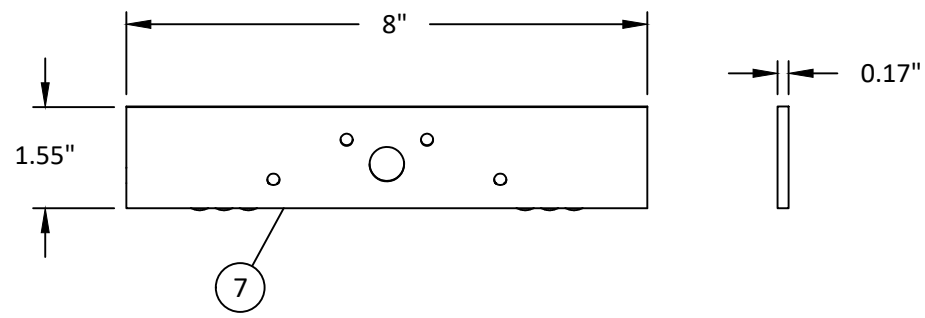
DATE:	05.28.24
DWG. BY:	DI
CHK. BY:	HFN
SCALE:	NTS
DWG. #:	DLF003

SHEET:
15
OF 18

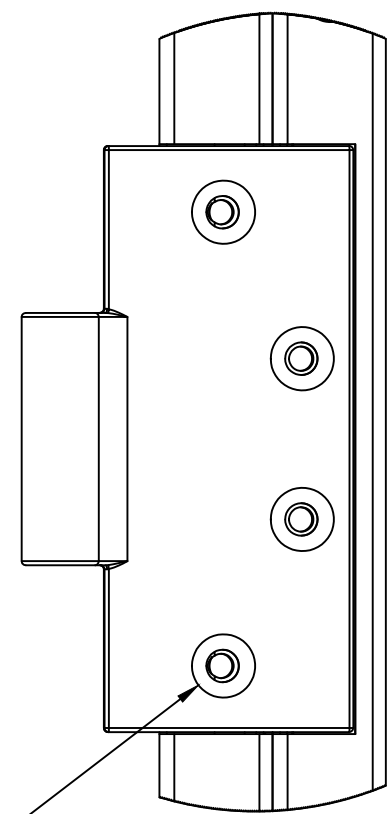
c:\users\julianarodriguez\building_drops, inc\building_drops landing - documents\common\projects\de la fontaine\lbc-25-0101 - hager hardware revisions\dwgs\dlf003-a.dwg 3/18/2026 1:44 PM



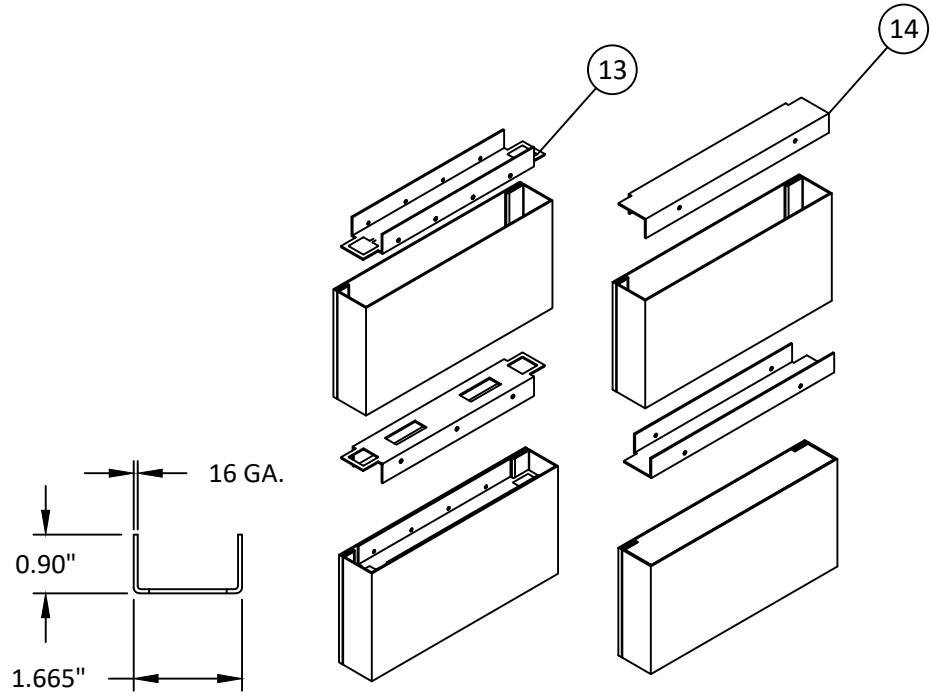
DETAIL KK
FRAME HINGE REINFORCEMENT



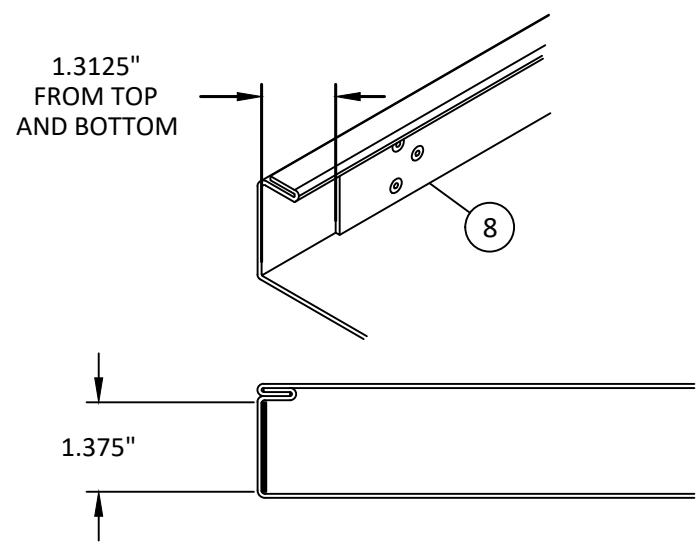
DETAIL LL
DOOR HINGE REINFORCEMENT
AND HINGE DETAIL



ATTACHED WITH FOUR (4) #12 ASSEMBLY SCREWS



DETAIL MM
END CHANNEL REINFORCEMENTS



DETAIL NN
DOOR & FRAME CONTINUOUS HINGE REINFORCEMENT
(OPTIONAL)



4115 RUE BRODEUR STREET
SHERBROOKE, QC J1L1K4
PH: (819) 821-9230 FX: (819) 569-5928

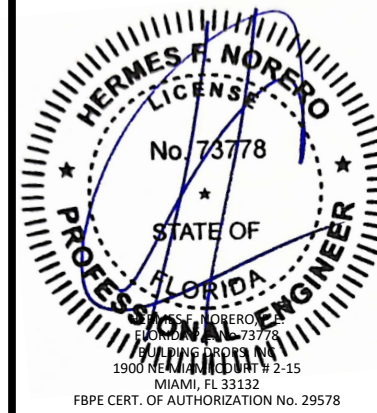
TITLE: OUTSWING DOUBLE & SINGLE GLAZED STEEL DOOR (HVHZ) (IMPACT)

REINFORCEMENTS

PREPARED BY: BUILDING DROPS, INC.
1900 NE MIAMI COURT, STE. 2-15
MIAMI, FL 33132
PH: (954) 399-8478
FAX: (954) 744-4738
WEB: www.buildingdrops.com

REMARKS	BY	DATE
HDW & DP UPDATE	DI	8/22/24
A: HDW UPDATE	JR	2/24/26

THE INSTALLATION DETAILS DESCRIBED HEREIN ARE GENERIC AND MAY NOT REFLECT ACTUAL CONDITIONS FOR A SPECIFIC SITE. IF SITE CONDITIONS CAUSE INSTALLATION TO DEVIATE FROM THE REQUIREMENTS DETAILED HEREIN, A LICENSED ENGINEER OR ARCHITECT SHALL PREPARE SITE SPECIFIC DOCUMENTS FOR USE WITH THIS DOCUMENT.

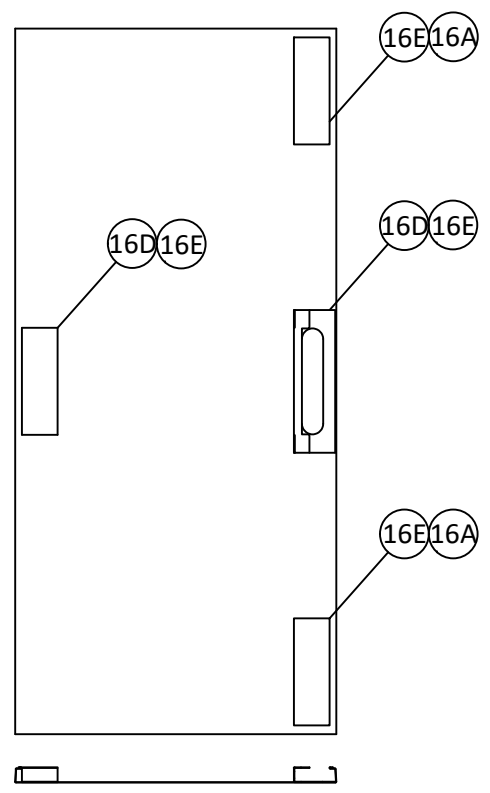


FL46851

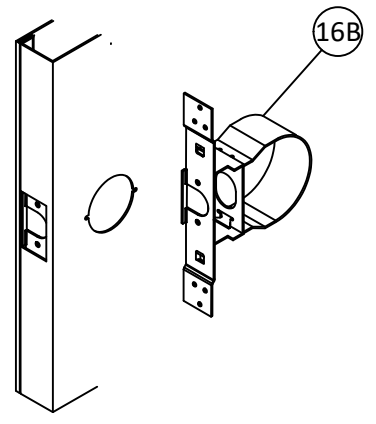
DATE:	05.28.24
DWG. BY:	DI
CHK. BY:	HFN
SCALE:	NTS
DWG. #:	DLF003

SHEET: 16 OF 18

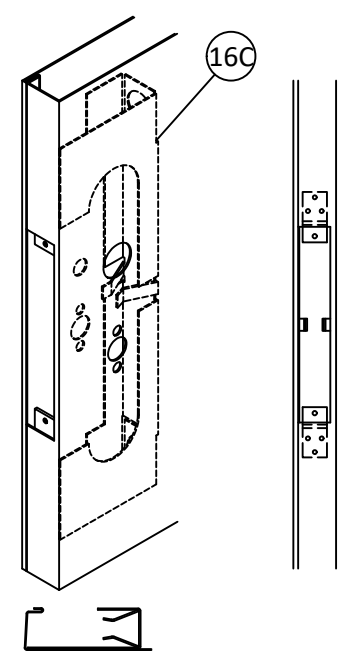
c:\users\julianarodriguez\building_drops, inc\building_drops, inc\building_drops, inc\projects\de la fontaine\lbc-25-0101 - hager hardware revisions\dwgs\dlf003-a.dwg 3/18/2026 1:44 PM



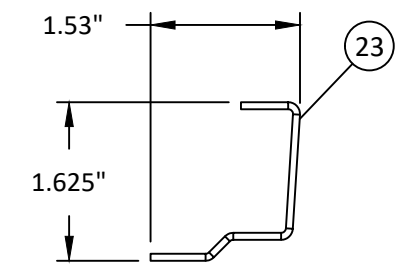
DETAIL OO
RIM EXIT DEVICE AND SURFACE VERTICAL ROD
LOCK REINFORCEMENT



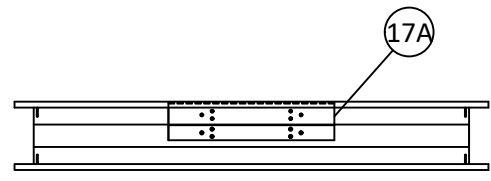
DETAIL PP
CYLINDRICAL LOCK REINFORCEMENT



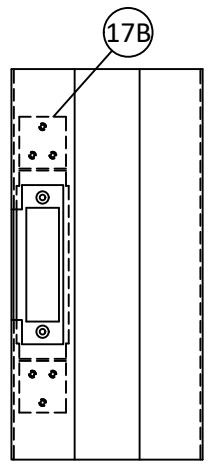
DETAIL QQ
MORTISE LOCK REINFORCEMENT



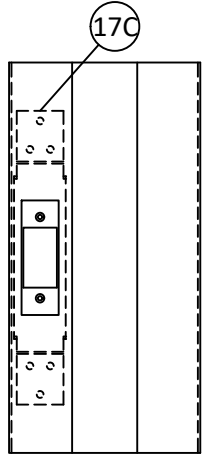
DETAIL RR
LOCK STILE REINFORCEMENT



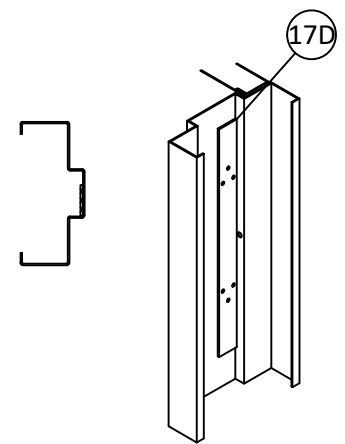
DETAIL SS
SURFACE BOLT
STRIKE REINFORCEMENT



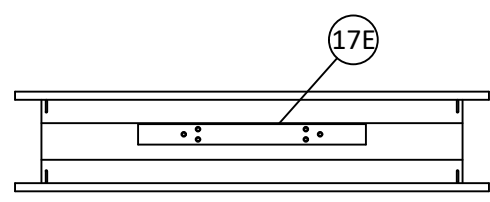
DETAIL TT
CYLINDRICAL LOCK
STRIKE REINFORCEMENT



DETAIL UU
MORTISE LOCK
STRIKE REINFORCEMENT



DETAIL VV
RIM EXIT DEVICE LOCK
STRIKE REINFORCEMENT



DETAIL WW
SURFACE VERTICAL ROD
LOCK STRIKE REINFORCEMENT



4115 RUE BRODEUR STREET
SHERBROOKE, QC J1L1K4
PH: (819) 821-9230 FX: (819) 569-5928

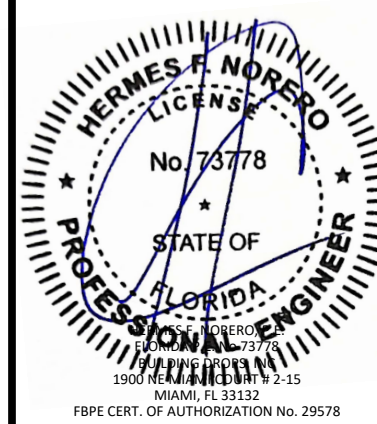
TITLE: OUTSWING DOUBLE & SINGLE
GLAZED STEEL DOOR (HVHZ)
(IMPACT)
REINFORCEMENTS

PREPARED BY:
BUILDING DROPS, INC.
1900 NE MIAMI COURT, STE. 2-15
MIAMI, FL 33132
PH: (954) 399-8478
FAX: (954) 744-4738
WEB: www.buildingdrops.com



REMARKS	BY	DATE
HDW & DP UPDATE	DI	8/22/24
A: HDW UPDATE	JR	2/24/26

THE INSTALLATION DETAILS DESCRIBED HEREIN ARE GENERIC AND MAY NOT REFLECT ACTUAL CONDITIONS FOR A SPECIFIC SITE. IF SITE CONDITIONS CAUSE INSTALLATION TO DEVIATE FROM THE REQUIREMENTS DETAILED HEREIN, A LICENSED ENGINEER OR ARCHITECT SHALL PREPARE SITE SPECIFIC DOCUMENTS FOR USE WITH THIS DOCUMENT.



FL46851

DATE:	05.28.24
DWG. BY:	DI
CHK. BY:	HFN
SCALE:	NTS
DWG. #:	DLF003

SHEET:
17
OF 18

c:\users\julianarodriguez\building_drops, inc\building_drops, inc\projects\de la fontaine\lbc-25-0101 - hager hardware revisions\dwgs\dlf003-a.dwg 3/18/2026 1:45 PM

BILL OF MATERIALS

NO.	DESCRIPTION	MATERIAL
1	FRAME - 5-3/4" MIN. DEPTH	16 GA. MIN. A40/A60/G90 GALV. STEEL
1A	OPTIONAL 4" HEADER FRAME - 5-3/4" MIN. DEPTH	16 GA. MIN. A40/A60/G90 GALV. STEEL
2	DOOR LEAF PANEL SKIN	18 GA. MIN. A40/A60/G90 GALV. STEEL SHEETS
3	CORE MATERIAL:	
	A) HONEYCOMB - LIMITED TO A MAXIMUM DESIGN PRESSURE OF ±50 PSF	
	B) POLYSTYRENE	
	C) POLYURETHANE	
4	D) STEEL STIFFENED (POLYSTYRENE OR POLYURETHANE)	
	LOCKING HARDWARE - SEE SHEET 1	
5	SURFACE BOLT - IVES 360 OR SARGENT 998	STEEL
6	4.5" MIN. BUTT HINGES SEE SHEET 1 NOTE 1.6	0.134" MIN. STEEL/BRASS
	OPTIONAL CONTINUOUS HINGE SEE SHEET 1 NOTE 1.6	ALUMINUM
7	DOOR HINGE REINFORCEMENTS	7 GA. STEEL
8	FRAME HINGE REINFORCEMENT	3/16" X 10" - 7 GA. STEEL
9	JAMB ANCHORS SEE SHEET 10 & 11	
	Z	18 GA. MIN. STEEL
	COMBINATION WOOD/STEEL STUD	
	EXISTING WALL ANCHOR (EWA)	16 GA. MIN. STEEL
	EXISTING WALL ANCHOR (EWA) - TUBE	
	MASONRY WIRE	-
	MASONRY T	-
ADJUSTABLE/WELDED JAMB BASE	12 GA. STEEL	
10	NGP 950N THRESHOLD WITH BUMPER GASKET	1/16" MIN. ALUMINUM
11	WEATHERSTRIPPING	
	A) NGP 16A RAIN DRIP	6063-T5 ALUMINUM
	B) NGP 331 DOOR SHOE	6063-T5 ALUMINUM / PPE / TPV
	C) NGP 200NA DOOR SWEEP	6063-T5 ALUMINUM / EPDM RUBBER / PPE
	D) NGP 137NA PERIMETER SEAL	
E) NGP 5050 BULB SEAL	SILOXANE	
12	CAULK	SILICONE OR BUTYL RUBBER
13	ST END CHANNEL	16 GA. STEEL
14	FWC END CHANNEL	16 GA. STEEL
15	HORIZONTAL REIN. CHANNELS	STEEL
16	DOOR LOCK REINFORCEMENT SEE SHEET 17	
	A) SURFACE BOLT REINFORCEMENT	16 GA. MIN. STEEL
	B) CYLINDRICAL LOCK REINFORCEMENT	16 GA. MIN. STEEL
	C) MORTISE LOCK REINFORCEMENT	16 GA. MIN. STEEL
	D) RIM EXIT DEVICE REINFORCEMENT	16 GA. MIN. STEEL
	E) SURFACE VERTICAL RODS REINFORCEMENT	16 GA. MIN. STEEL

FRAME LOCK STRIKE REINFORCEMENT SEE SHEET 17		
17	A) SURFACE BOLT STRIKE REINFORCEMENT	16 GA. MIN. STEEL
	B) CYLINDRICAL STRIKE REINFORCEMENT	16 GA. MIN. STEEL
	C) MORTISE STRIKE REINFORCEMENT	16 GA. MIN. STEEL
	D) RIM EXIT STRIKE REINFORCEMENT	16 GA. MIN. STEEL
	E) SURFACE VERTICAL ROD STRIKE REINFORCEMENT	16 GA. MIN. STEEL
18	FLAT ASTRAGAL	STEEL
	Z ASTRAGAL	STEEL
19	LITE KIT CHANNEL	STEEL
20	GLAZING TAPE	BUTYL RUBBER
21	DOW CORNING DOWSIL 995	SILICONE
22	VON DUPRIN HH9954 MULLION	-
	CORBIN RUSSWIN FE707A MULLION	-
	HAGER 4500 MULLION	-
23	LOCK STILE REINFORCEMENT	STEEL



4115 RUE BRODEUR STREET
SHERBROOKE, QC J1L1K4
PH: (819) 821-9230 FX: (819) 569-5928

TITLE: OUTSWING DOUBLE & SINGLE GLAZED STEEL DOOR (HVHZ) (IMPACT)

BILL OF MATERIALS

PREPARED BY: BUILDING DROPS, INC.

1900 NE MIAMI COURT, STE. 2-15
MIAMI, FL 33132
PH: (954) 399-8478
FAX: (954) 744-4738
WEB: www.buildingdrops.com



REMARKS	BY	DATE
HDW & DP UPDATE	DI	8/22/24
A: HDW UPDATE	JR	2/24/26

THE INSTALLATION DETAILS DESCRIBED HEREIN ARE GENERIC AND MAY NOT REFLECT ACTUAL CONDITIONS FOR A SPECIFIC SITE. IF SITE CONDITIONS CAUSE INSTALLATION TO DEVIATE FROM THE REQUIREMENTS DETAILED HEREIN, A LICENSED ENGINEER OR ARCHITECT SHALL PREPARE SITE SPECIFIC DOCUMENTS FOR USE WITH THIS DOCUMENT.



FL46851

DATE: **05.28.24**

DWG. BY: DI	CHK. BY: HFN
-----------------------	------------------------

SCALE: **NTS**

DWG. #: **DLF003**

SHEET:

18

OF 18