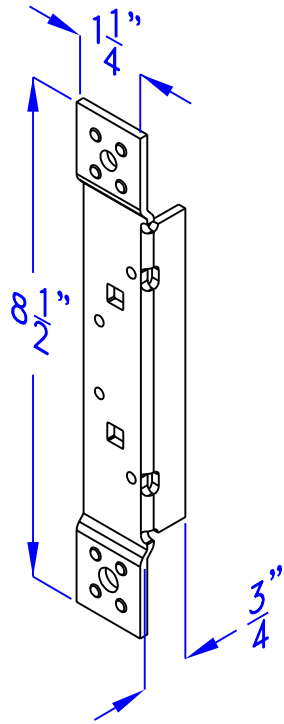
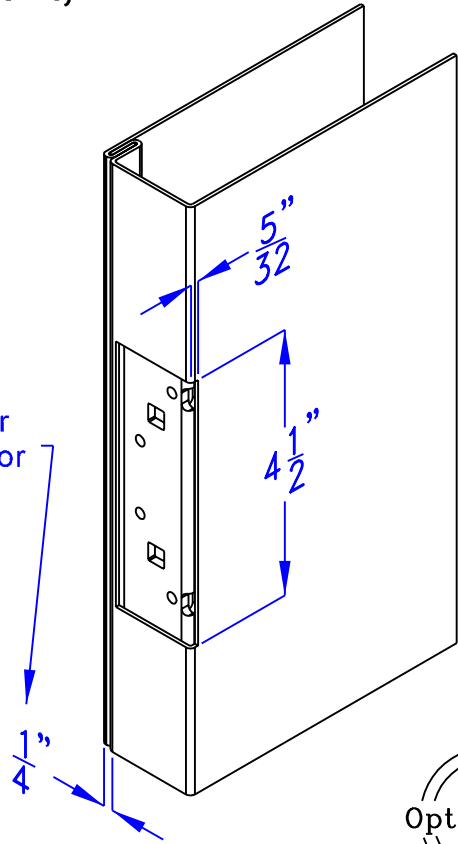


**4 1/2" Standard weight hinge reinforcement,
(.134) 10gauge**

Projection welded

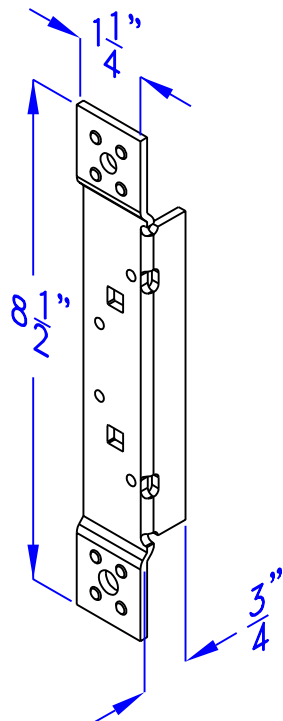


Add 1/32" for
16ga PA Door



**4 1/2" Heavy weight hinge reinforcement,
(.180) 10gauge**

Projection welded



Add 1/32" for
16ga PA Door

