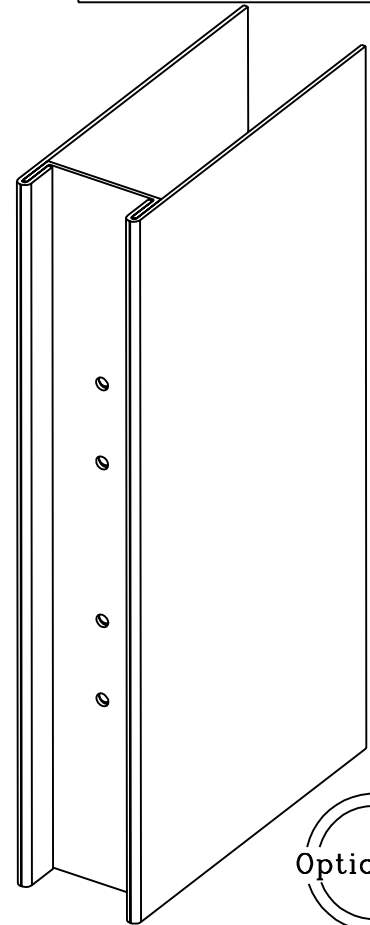
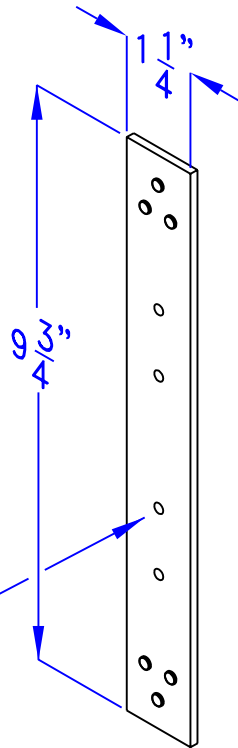


**Pocket pivot reinforcement,
10gage**

Projection welded

Drill and tap per
manufacturer's template
Supplied by client



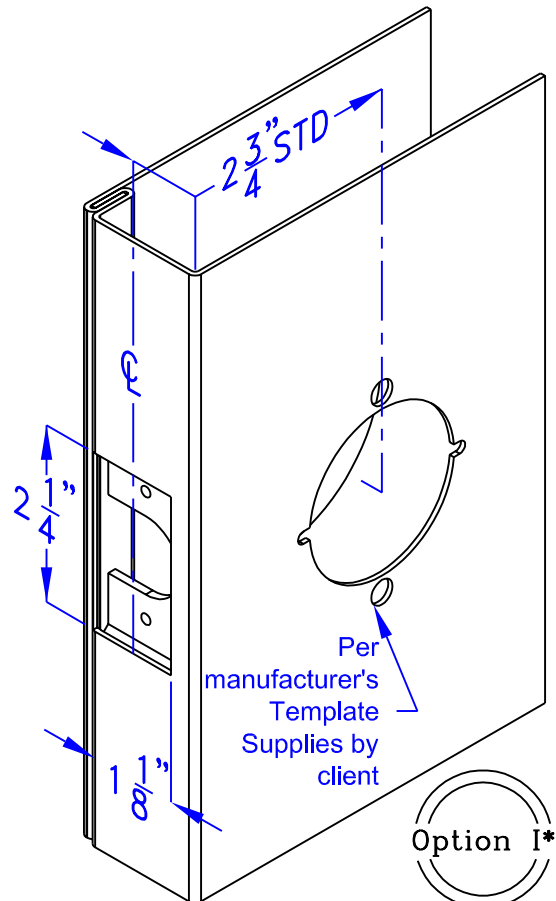
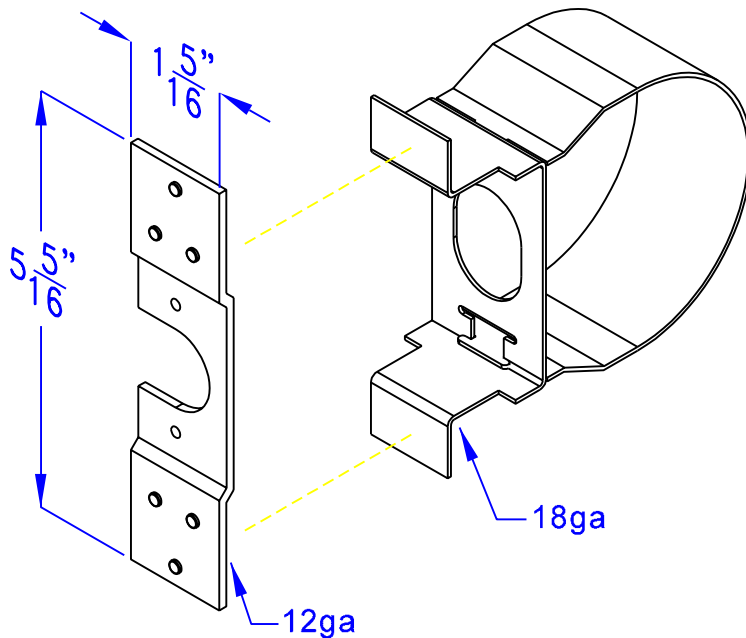
Option H5

**Cylindrical lock and dead lock
reinforcement**

*I1: Cylindrical lock

*I4: Cylindrical dead lock

*I9: Cylindrical lock with thru bolts



Option I*