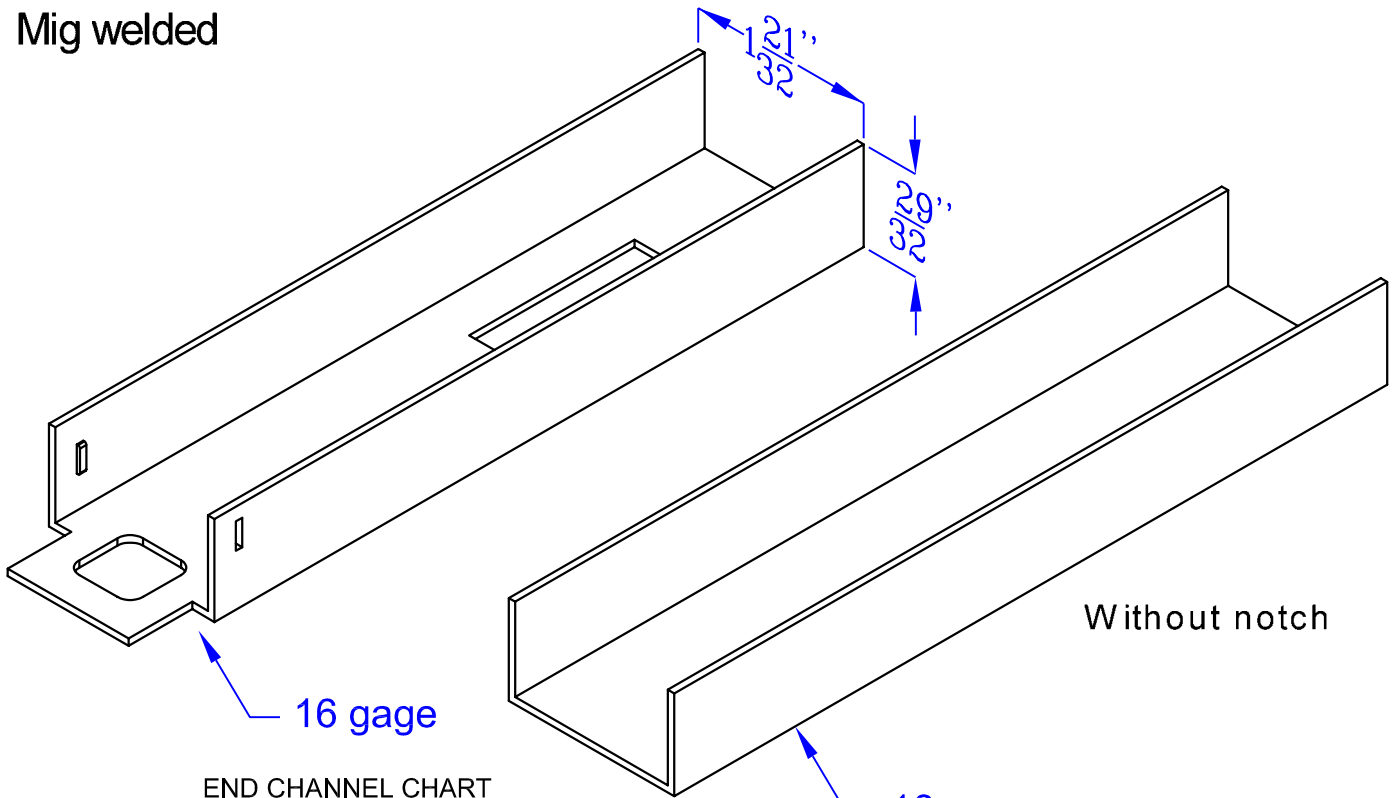


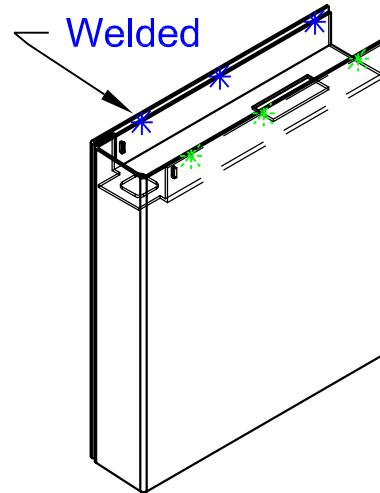
End channel for top or bottom

Mig welded



END CHANNEL CHART

| Nominal width | Active | End chan. length | Inactive | End chan. length |
|---------------|--------|------------------|----------|------------------|
| 18 | 17-3/4 | 17-1/2 | 17-7/8 | 17-5/8 |
| 20 | 19-3/4 | 19-1/2 | 19-7/8 | 19-5/8 |
| 22 | 21-3/4 | 21-1/2 | 21-7/8 | 21-5/8 |
| 24 | 23-3/4 | 23-1/2 | 23-7/8 | 23-5/8 |
| 26 | 25-3/4 | 25-1/2 | 25-7/8 | 25-5/8 |
| 28 | 27-3/4 | 27-1/2 | 27-7/8 | 27-5/8 |
| 30 | 29-3/4 | 29-1/2 | 29-7/8 | 29-5/8 |
| 32 | 31-3/4 | 31-1/2 | 31-7/8 | 31-5/8 |
| 34 | 33-3/4 | 33-1/2 | 33-7/8 | 33-5/8 |
| 36 | 35-3/4 | 35-1/2 | 35-7/8 | 35-5/8 |
| 38 | 37-3/4 | 37-1/2 | 37-7/8 | 37-5/8 |
| 40 | 39-3/4 | 39-1/2 | 39-7/8 | 39-5/8 |
| 42 | 41-3/4 | 41-1/2 | 41-7/8 | 41-5/8 |
| 44 | 43-3/4 | 43-1/2 | 43-7/8 | 43-5/8 |
| 46 | 45-3/4 | 45-1/2 | 45-7/8 | 45-5/8 |
| 48 | 47-3/4 | 47-1/2 | 47-7/8 | 47-5/8 |



Specify notched or without notch

With notch used for flush bolt top or bottom