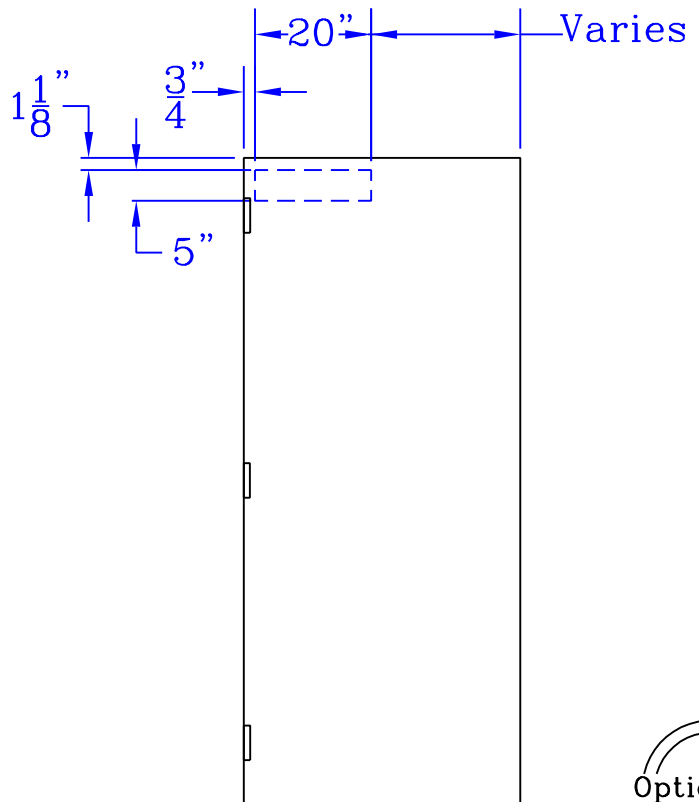


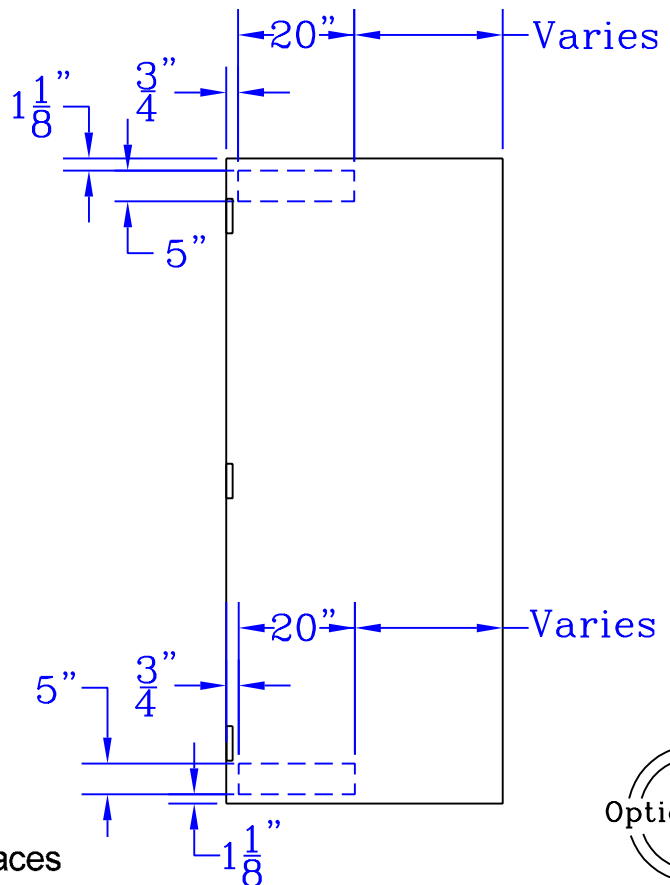
Standard closer reinforcement

Option G1 16gauge
Option G1B 12gauge



NOTE: Reinforcement is glued to the faces

Reversible closer reinforcement, 16gauge



NOTE: Reinforcements are glued to the faces