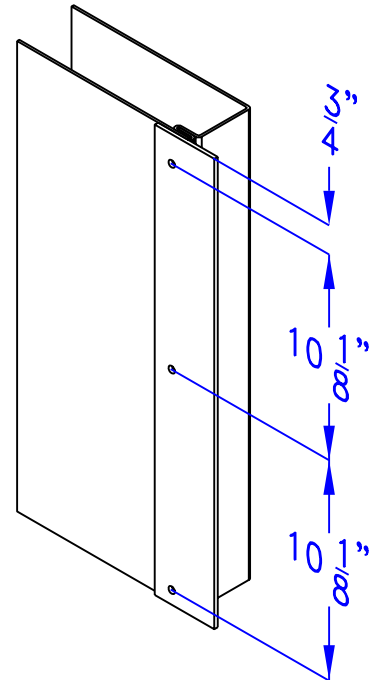
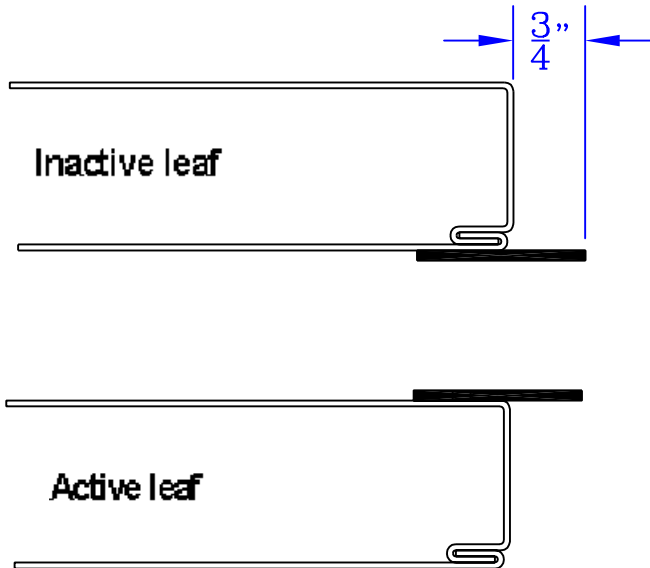


Flat bar astragal, 12gauge

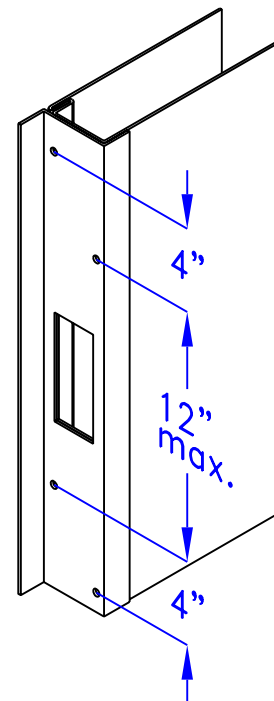
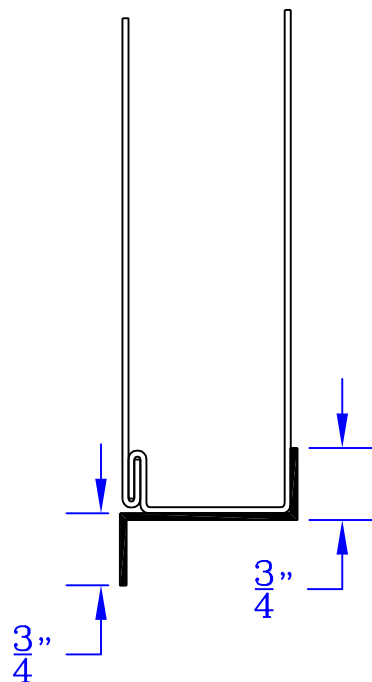
- Drilled and countersunk
- Supplied with screws
- Not installed



Option T1

Combination "Z" astragal, 14gauge

- Drilled and countersunk
- Supplied with screws
- Cut out for hardware
- Not installed



Note: When a pair of doors are ordered with a "Z" astragal, the inactive leaf will be reduced 1/8" to allow proper clearance.

Option T2