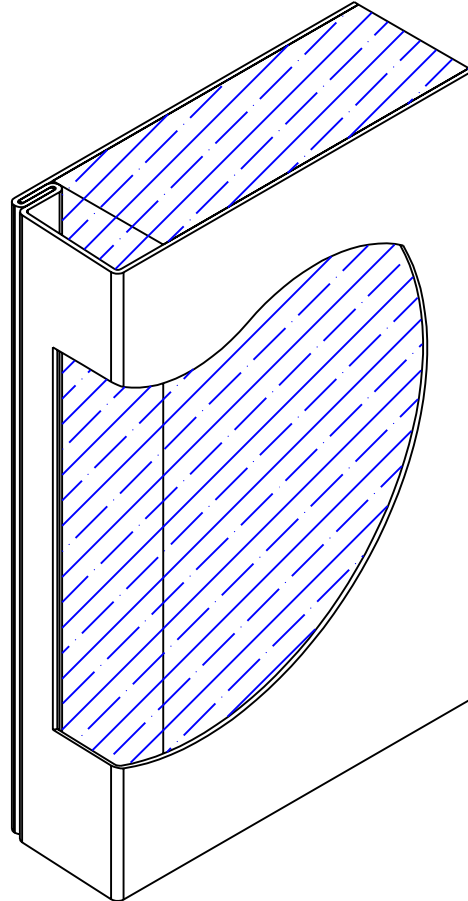


Temperature rise door

Option A7a: Maximum 250°F in 30 minutes

Option A8a: Maximum 450°F in 60 minutes

Option A8c: Maximum 450°F in 30 minutes



Option A7a: -Are 1 ½ hours fire rating. (100sq/Inch max. lite size)
 -Up to 30 minutes temperature rise above ambient, on unexposed face of door less than 250°F.
 -Single leaf door are available only in custom size with maximum 4'-0" width and 8'-0" height.
 -Double leaf door maximum size for both leaf door are 8'-0" width and 8'-0" height, flat bar astragal as required.

Option A8a: -Are 3 hours fire rating.
 -Up to 60 minutes temperature rise above ambient, on unexposed face of door less than 450°F
 -Single leaf door are available only in custom size with maximum 4'-0" width and 8'-0" height.
 -Double leaf door maximum size for both leaf door are 8'-0" width and 8'-0" height, flat bar astragal as required.

Option A8c: -Are 1 ½ hours fire rating. (100sq/Inch max. lite size)
 -Up to 30 minutes temperature rise above ambient, on unexposed face of door less than 450°F.
 -Single leaf door are available only in custom size with maximum 4'-0" width and 8'-0" height.
 -Double leaf door maximum size for both leaf door are 8'-0" width and 8'-0" height, flat bar astragal as required.

