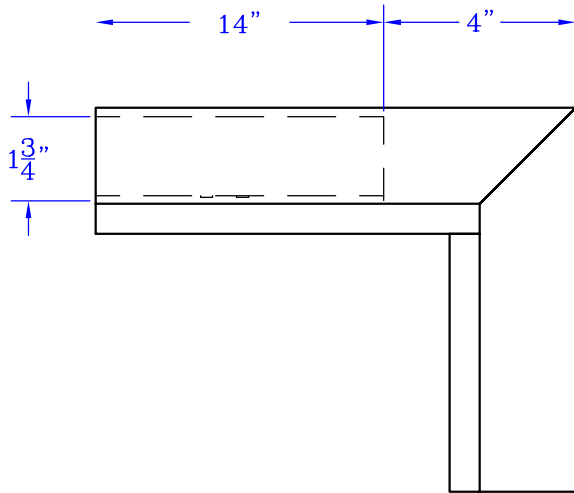
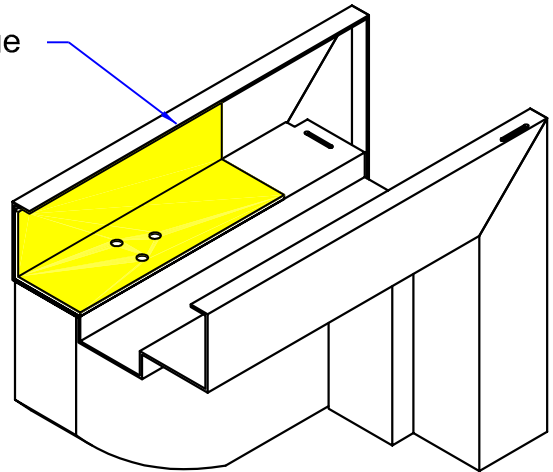


Regular arm closer reinforcement

Projection welded



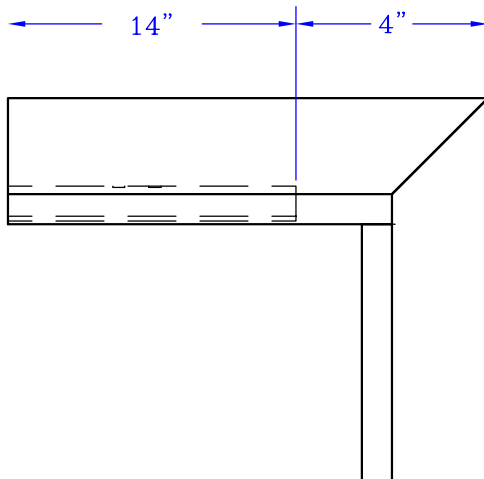
12gauge



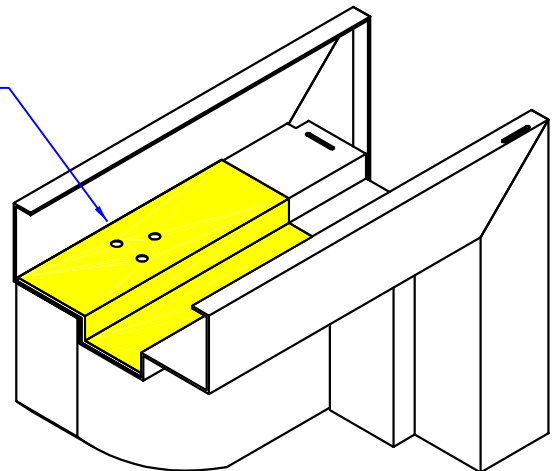
Option C1A

Parallel arm closer reinforcement

Projection welded



12gauge



Option C1B