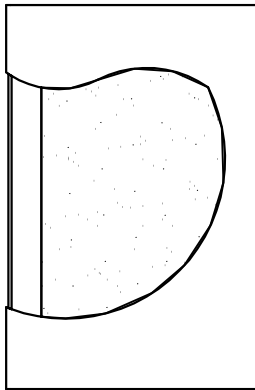
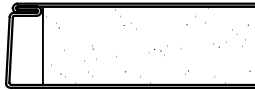


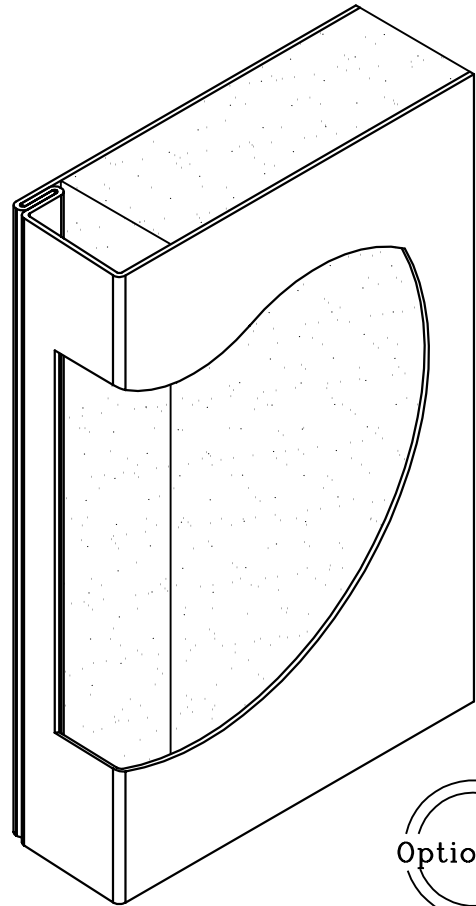
### Urethane core

"U" Factor: 0.08

"R" Factor: 12.15



Secured by adhesive

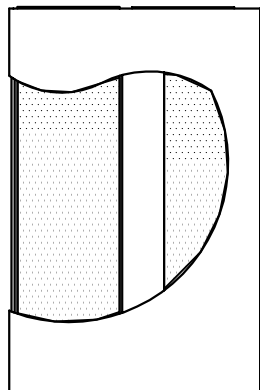
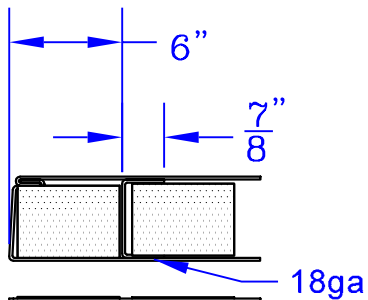


Option A3

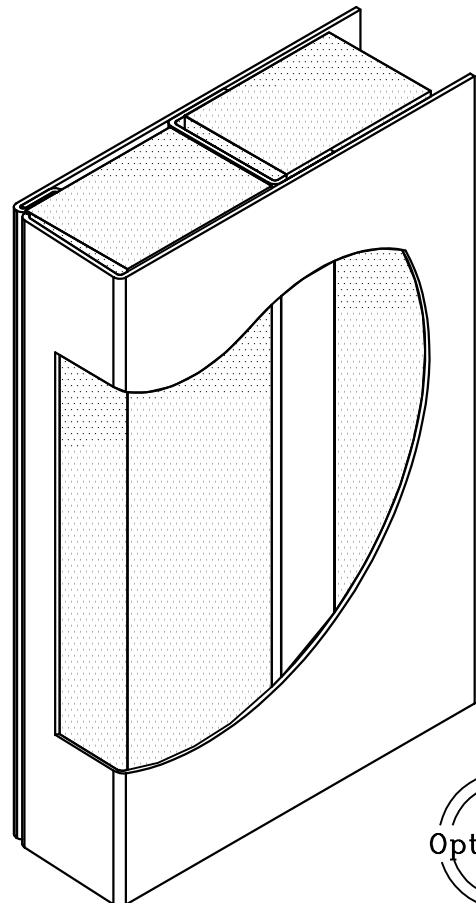
### Steel stiffened with Polystyrene

"U" Factor: 0.16

"R" Factor: 6.38



NOTE: Stiffeners are glued to both faces



Option A12