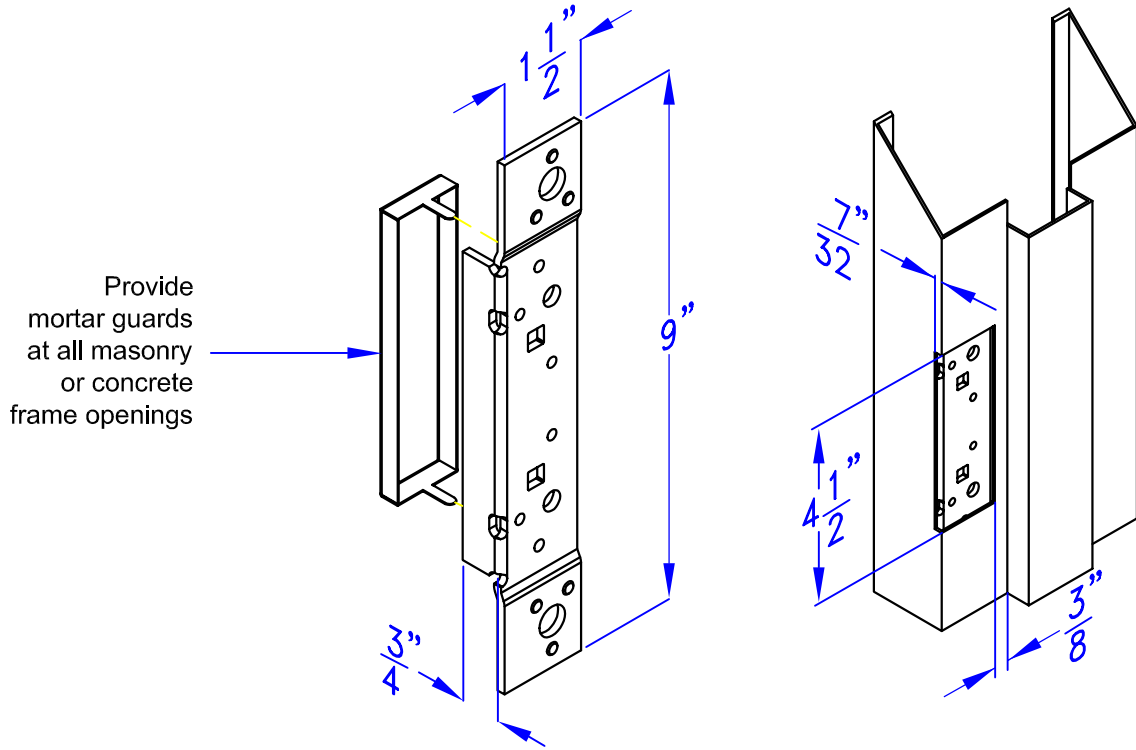


**4 1/2" Standard weight hinge reinforcement, (.134) 10gauge**

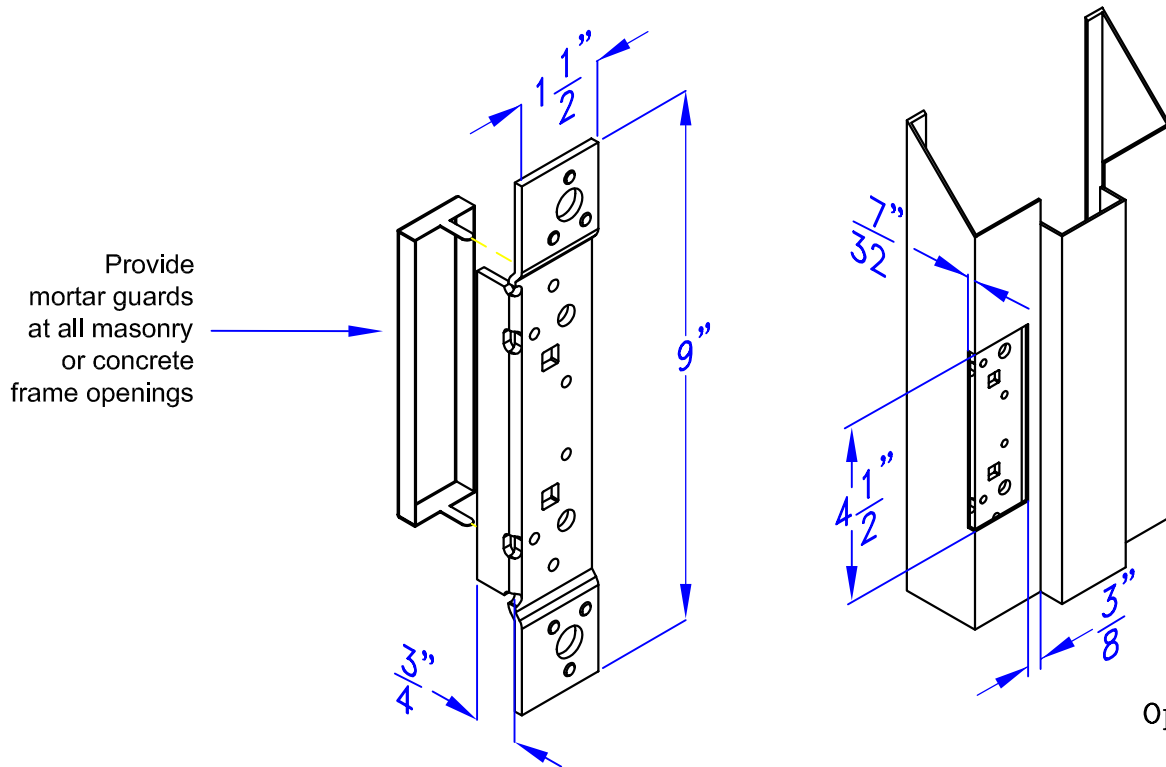
Projection welded



Option F1A

**4 1/2" Heavy weight hinge reinforcement, (.180) 10gauge**

Projection welded



Option F1B