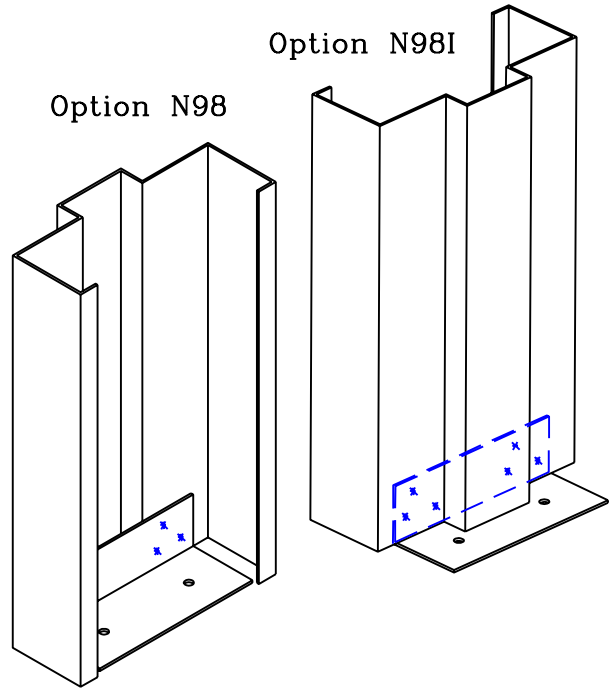
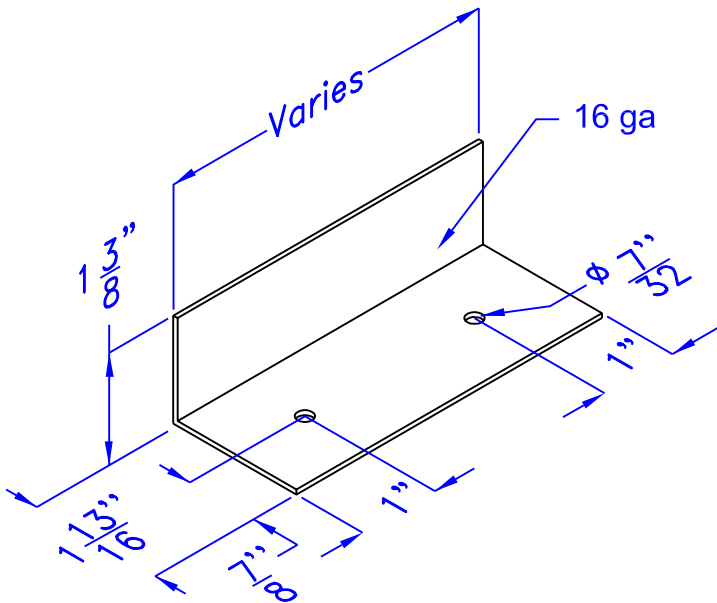


Base and Inverted Toe base Anchor

Spot welded



NOTE: We installed the full 1 part model when.
 -Frame face are other than 2".
 -Throat between 3 1/2" and 4 7/8" in 2" frame face.

We installed the 2 parts model when.
 -Frame face are 2" and throat are 4 7/8" and more.

- 14 gage available on notice

