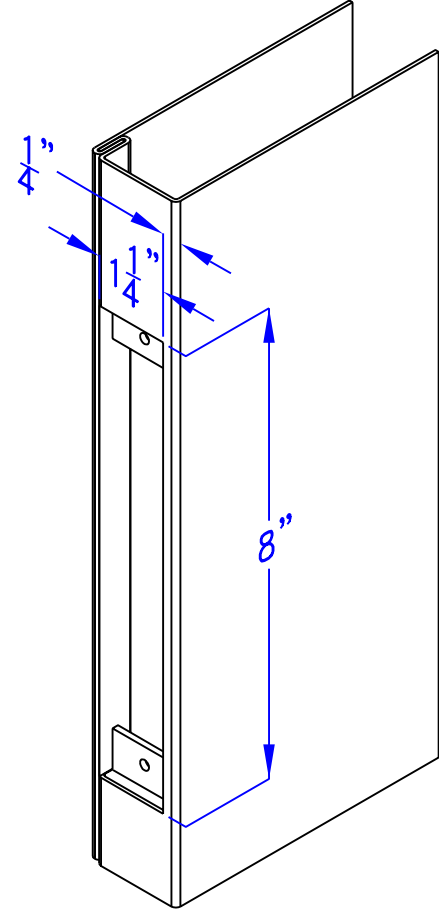
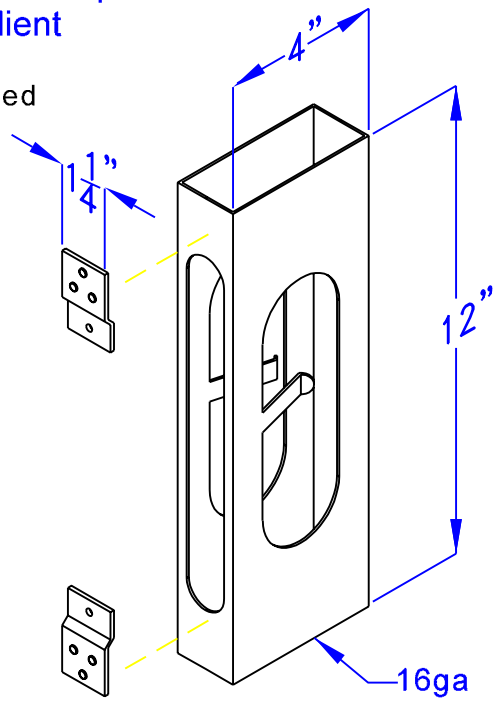


Mortise lock reinforcement, 12gage

- *J1: without function holes
- *J2: with function holes per manufacturer's template supplies by client

Projection welded

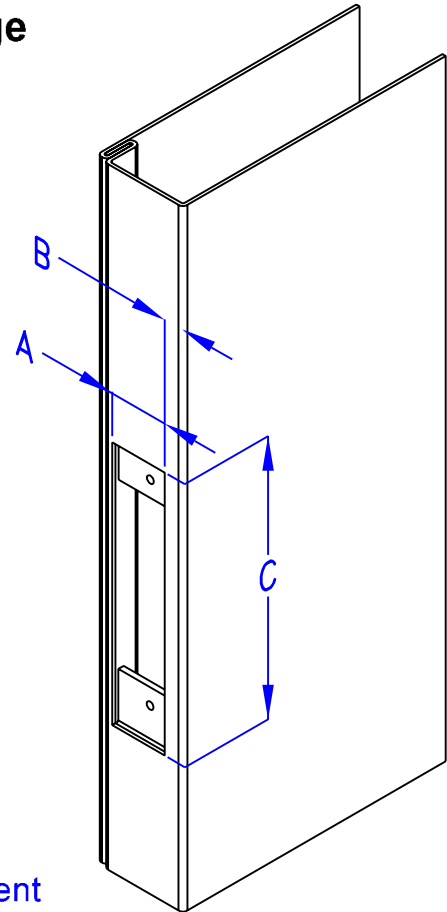
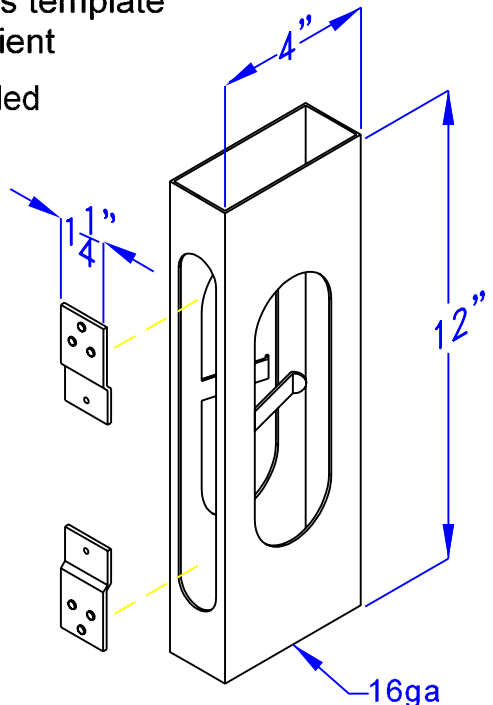


Option J*

Mortise dead lock reinforcement, 12gage

- *J5: without function holes
- *J6: with function holes per manufacturer's template supplied by client

Projection welded



Option J*

A-C: Per manufacturer's template supplied by client